



ProPass 180 Top Dresser

Parts Catalog



CE

TYCROP Manufacturing Ltd.
Rosedale, British Columbia, V0X 1X0, Canada
www.tycrop.com
Copyright © 2004 TYCROP Manufacturing Ltd.
All rights reserved
Manual Number: 60041007
Printed in Canada, **January 25, 2006**

All information, illustrations, and specifications in this manual are based on the latest information at the time of publication. We reserve the right to make changes at any time without notice.

TABLE OF CONTENTS

PARTS AND SERVICE INFORMATION	1
Parts Ordering	1
SECTION 1 — PROPASS BASE MODEL	2
Conveyor Bed	2
Conveyor Sides	2
Belt Assembly	2
Rollers	2
Bearings	2
Scraper Assembly	2
Skirtboard Retainers	4
Rubber Seals	4
Hopper Walls	4
Gate Assembly	4
Hydraulics	6
Hydraulic Floor Motor	6
Hydraulic Hoses	6
Hydraulic Flow Control Valves	6
Quick Couplers	6
Hydraulic Fittings	6
Sprockets	10
Chain	10
Electrical System	12
Solenoid Harness	12
Power Feed Wire	12
Pendant Cord	12
Socket - 4 prong	12
Serial Number Plate	14
Decals	14
Guards	16
SECTION 2 — PROPASS ELECTRICAL CONNECTION KIT	18
Socket - 4 prong	18
Wiring Harness	18
SECTION 3 — PROPASS TWIN SPINNER	20
Housing	20-22
Hopper	22-22
Safety Rubber	20-22
Latch	20-22
Disks	20-22
Paddles	20-22
Serial Number Plate	20-22
Decals	20-22
Hydraulics	23
Hydraulic Twin Spinner Motors	23
Hydraulic Hoses	23
Hydraulic Quick Couplers	23
Hydraulic Fittings	23
Previous Twin Spinner	26-29
SECTION 4 — PROPASS VORTEX BRUSH	30
Brush	30
Hydraulic Motor	30
Mounting Brackets L.H or R.H	30
Cover	30
Rubber Deflector	30

Serial Number Plate, Decals	26
SECTION 5 — PROPASS TOW BEHIND CHASSIS	32
Suspension Chassis	32
Hitch Tube	32
Hitch Clevis	32
Jack Assembly	32
Walking Beam	32
Hub Assembly.....	32
Wheels	32
Tires.....	32
Serial Number Plate	32
Decals	32
SECTION 6 — JOHN DEERE PROGATOR TRUCK MOUNT CHASSIS	34
Cross Members	34
Brace Tubes	34
Brace Brackets	34
Shields	34
Serial Number Plate, Decals.....	34
SECTION 7 — TORO WORKMAN TRUCK MOUNT OPTION.....	36
Cross Members	36-37
Brace Tubes	36-37
Brace Brackets	36-37
Shields	36-37
Serial Number Plate, Decals.....	36-37
SECTION 8 — PROPASS TRUCK MOUNT STORAGE STAND	38
Rear Leg Inserts	38
Jacks	38
Front Legs.....	38
Pins and Linch Pins.....	38
SECTION 9 — PROPASS POWERPACK.....	40
Engine Sub Assembly	40-41
Hydraulics.....	42-43
Electrical.....	44-45
Decals	46-47
Hydraulic Tank	48-49
Hose Guide	50-51
SECTION 10 — TORO HI-FLOW KIT.....	52
Hi-Flow 4x4 and 2x4 Gas	52-55
Hi-Flow 2x4 Diesel.....	56-57
Hi-Flow 4x4 Diesel.....	58

PARTS AND SERVICE INFORMATION

Parts Ordering

When ordering genuine TYCROP replacement parts, please supply the following information:

- Product Serial Number
- Part Number and Description
- Quantity

To ensure correct information for replacement parts, this information can be obtained from the identification plate attached to unit. Refer to Picture 1 in the Operator's Manual.

All orders shipped from TYCROP Manufacturing will be shipped ground, unless specified by either dealer or customer.

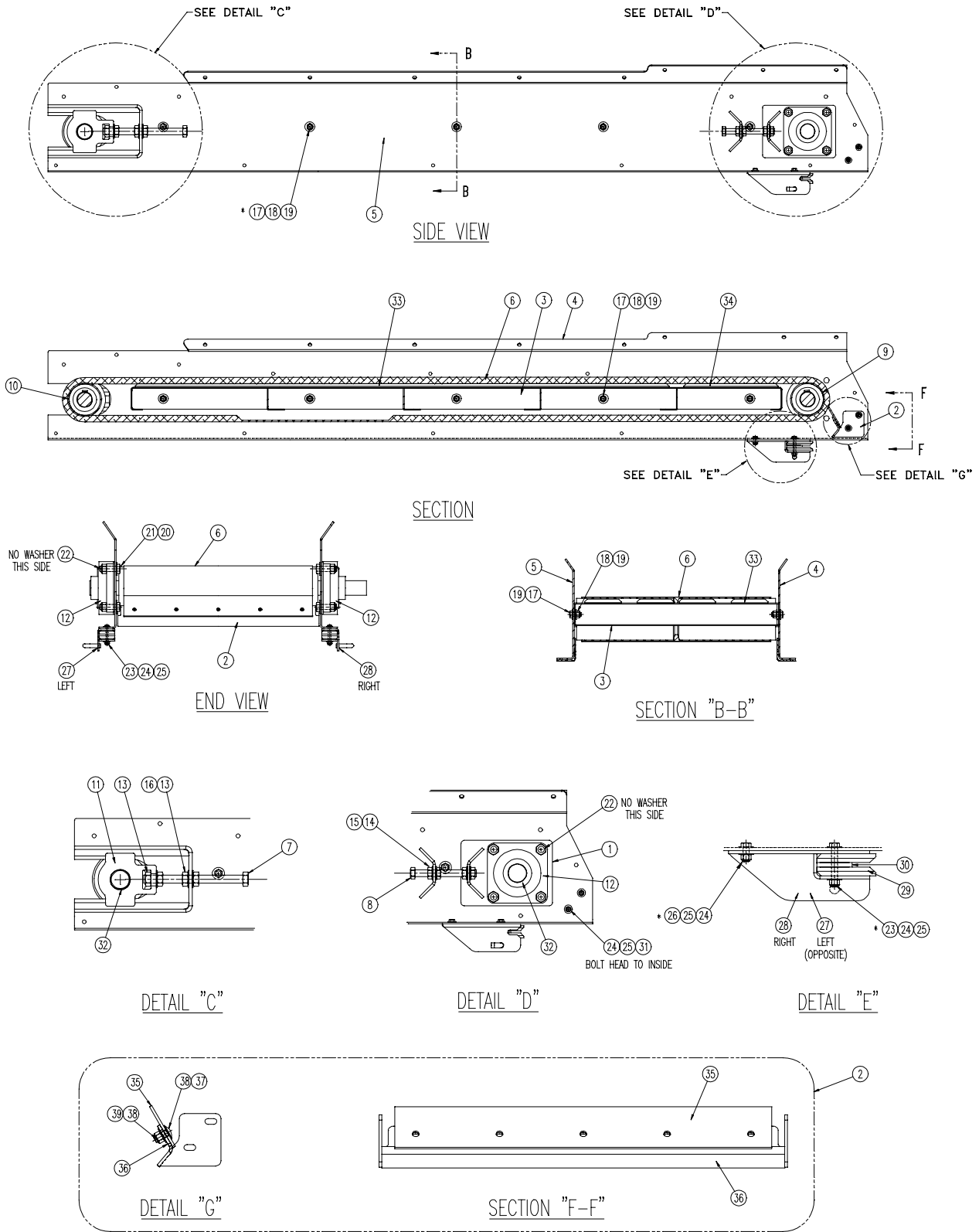
Descriptions and specifications contained in this manual were in effect at time of publication and are subject to change without notice or liability.

Parts can be ordered by contacting your local authorized TYCROP dealer or contacting:

**TYCROP Manufacturing
Ltd.**
9880 McGrath Rd
Rosedale, B.C.
Canada, V0X 1X0
1-877-892-7671

Joel Fast, Parts
Walt Neufeld, Service
Paul Berger, Service

PROPASS 180 BASE MODEL (STOCK CODE #35005002)



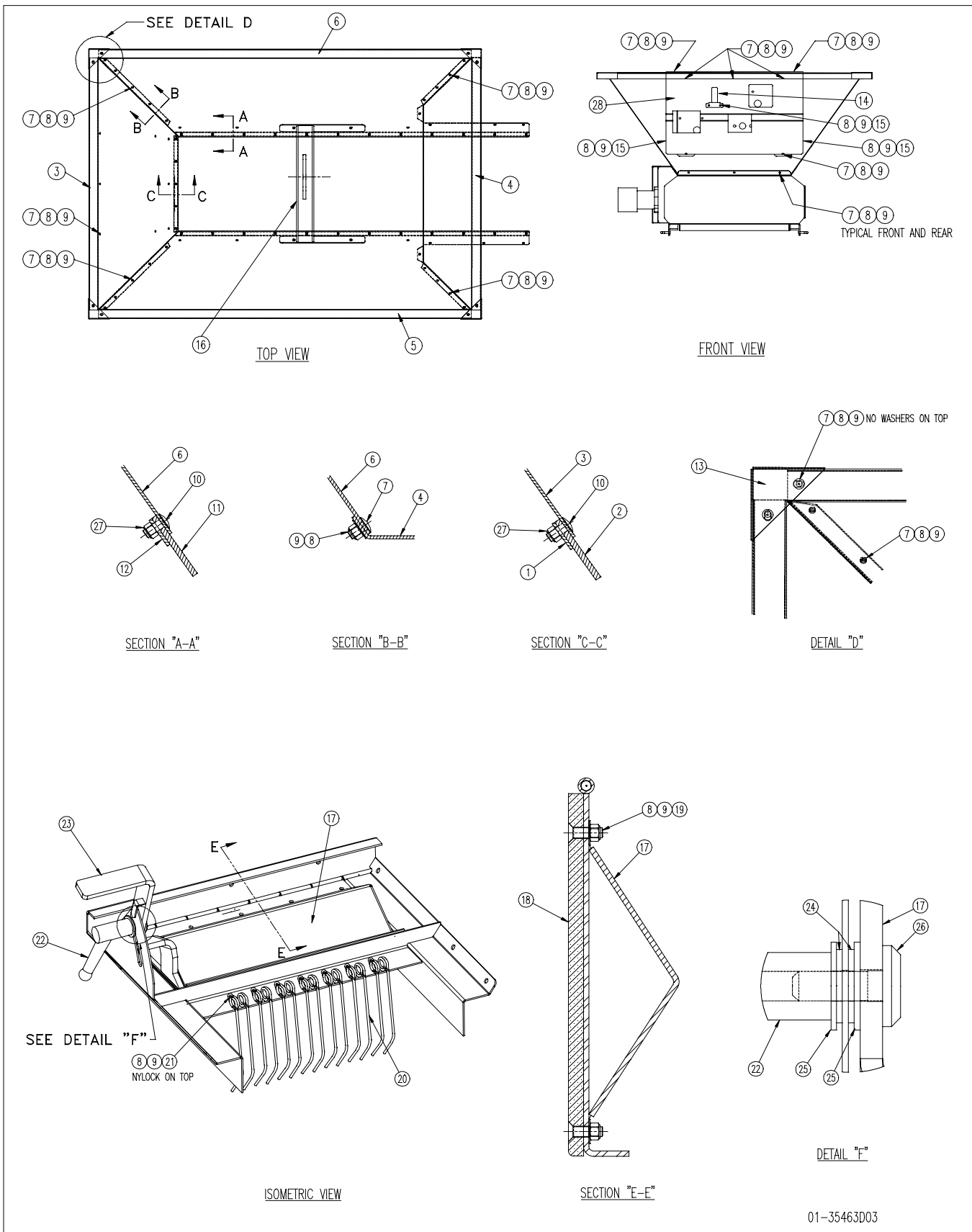
* WASHERS ON BOTH SIDES

01-35464001

PROPASS 180 BASE MODEL PARTS LISTING (STOCK CODE #35005002)

ITEM	PART DESCRIPTION	SERIAL	TO SERIAL	PART NO.	REV	QTY
1	PLATE - ALIGNMENT	14711	-----	36051675	00	1
2	SCRAPER ASSEMBLY	14711	-----	36051130	00	1
3	BED - CONVEYOR	14711	-----	36051600	00	1
4	CONVEYOR SIDE - RIGHT HAND	14711	-----	36051615	00	1
5	CONVEYOR SIDE - LEFT HAND	14711	-----	36051605	00	1
6	BELT - CONV/18 x 150.57"	14711	-----	60191015	00	1
7	ROD - BELT TENSIONER	14711	-----	36051670	00	2
8	ROD - ALIGNMENT	14711	-----	36051660	00	1
9	ROLLER - DRIVE	14711	-----	36051610	00	1
10	ROLLER - IDLER	14711	-----	36051620	00	1
11	TAKE UP 1-3/8 NAT 207-22 FYH	14711	-----	60114107	00	2
12	FLANGE - 4 BOLT 1-3/8" (NANF 207)	14711	-----	60116255	00	2
13	NUT - JAM NF GR8 5/8 "	14711	-----	50140987	00	8
14	NUT - JAM NC GR8 1/2"	14711	-----	50140985	00	4
15	WASHER - FLAT GR8 METALOY 1/2"	14711	-----	50421030	00	4
16	WASHER - FLAT GR8 METALOY 3/8"	14711	-----	50421032	00	6
17	BOLT NC GR8 PLTD 3/8" x 1"	14711	-----	50031070	00	10
18	NUT - NYLOCK NC GR8 3/8"	14711	-----	50251002	00	10
19	WASHER - FLAT CUT GR8 3/8"	14711	-----	50421028	00	20
20	BOLT NC GR8 PLTD 1/2 x 1-3/4"	14711	-----	50031136	00	8
21	WASHER - FLAT GR8 METALOY 1/2"	14711	-----	50421030	00	8
22	NUT - NYLOCK NC GR8 1/2"	14711	-----	50251004	00	8
23	BOLT - NC GR8 PLTD 1/4" x 2"	14711	-----	50031012	00	2
24	WASHER - FLAT GR8 METALOY 1/4"	14711	-----	50421029	00	12
25	NUT - NYLOCK NC GR8 1/4"	14711	-----	50251000	00	8
26	BOLT - NC GR8 PLTD 1/4" x 1"	14711	-----	50031004	00	2
27	ATTACHMENT CLIP - LEFT HAND	14711	-----	36051560	00	1
28	ATTACHMENT CLIP - RIGHT HAND	14711	-----	36051570	00	1
29	BEARING BAR	14711	-----	36051580	00	4
30	SPACER - ATTACHMENT	14711	-----	36051590	00	2
31	BOLT - NC GR8 1/4" x 3/4"	14711	-----	50031002	00	4
32	BEARING LOCKING COLLAR	14711	-----	60112640	00	4
33	SLIDER - CONVEYOR	14711	-----	36051690	00	4
34	SUPPORT SLIDER - CONVEYOR	14711	-----	36051680	00	2
35	SCRAPER	14711	-----	36051135	00	1
36	BAR - SCRAPER	14711	-----	36051132	00	1
37	BOLT - SS PAN 5/16" x 1"	14711	-----	50070974	00	5
38	WASHER - FLAT STAINLESS 5/16"	14711	-----	50421115	00	10
39	NUT - NYLOCK SS 5/16"	14711	-----	50071015	00	5

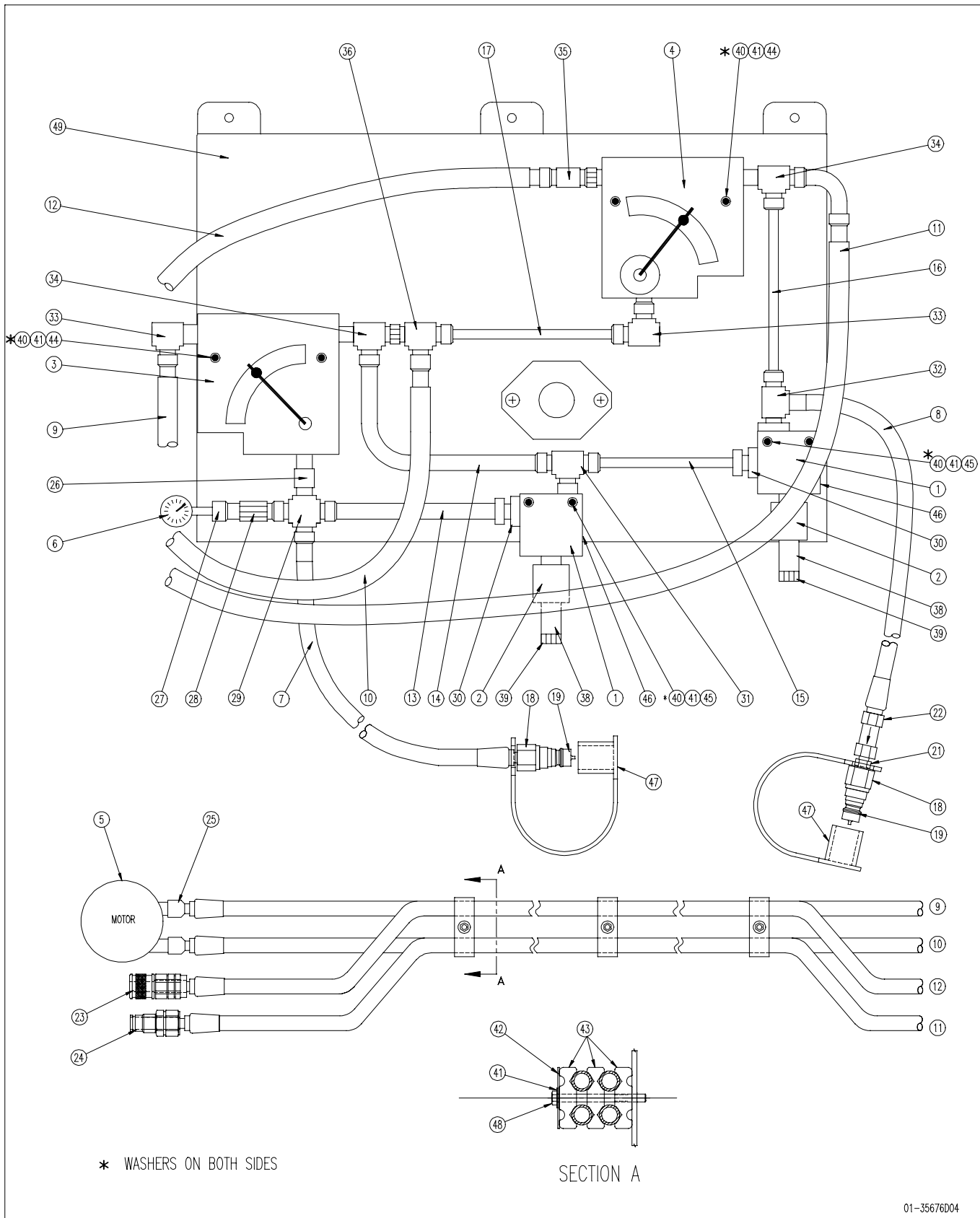
PROPASS 180 BASE MODEL (STOCK CODE #35005002)



PROPASS 180 BASE MODEL PARTS LISTING (STOCK CODE #35005002)

ITEM	PART DESCRIPTION	SERIAL	TO SERIAL	PART NO.	REV	QTY
1	SKIRTBOARD RETAINER- FRONT	14711	-----	36051140	00	1
2	SEAL RUBBER - FRONT	14711	-----	36051150	00	1
3	HOPPER WALL - FRONT	14711	-----	36051102	00	1
4	HOPPER WALL - REAR	14711	-----	36051104	00	1
5	HOPPER WALL - LEFT HAND	14711	-----	36051108	00	1
6	HOPPER WALL - RIGHT HAND	14711	-----	36051112	00	1
7	BOLT - SS BUTTON HD N/C 1/4" x 5/8"	14711	-----	50071076	00	30
8	WASHER - FLAT STAINLESS 1/4"	14711	-----	50421105	00	51
9	NUT - SS NYLOCK 1/4"	14711	-----	50071020	00	39
10	BOLT CARR 1/4" x 1"	14711	-----	50091004	00	29
11	SEAL RUBBER - CONVEYOR	14711	-----	36051550	00	2
12	SKIRTBOARD RETAINER - CONVEYOR	14711	-----	36051540	00	2
13	CAP - HOPPER CORNER	14711	-----	36051116	00	4
14	HANGER - HOSE	14711	-----	36053030	00	1
15	BOLT - GR8 1/4" x 3/4"	14711	-----	50031002	00	4
16	LIFT ASSEMBLY	14711	-----	36051110	00	1
17	GATE ASSEMBLY (Inc #18)	14711	-----	36051120	00	1
18	WEAR PAD - GATE	14711	-----	36051125	00	1
19	BOLT - FLAT HEAD 1/4" x 1" PLAT	14711	-----	51151011	00	10
20	RAKE TINES	14711	-----	62021042	00	7
21	BOLT GR8 1/4" x 3/4"	14711	-----	50031002	00	7
22	HANDLE - GATE ADJUSTER	14711	-----	62011037	00	1
23	GRIP - HANDLE	14711	-----	62021000	00	1
24	WASHER - UHMW	14711	-----	36041128	00	2
25	WASHER - FLAT GR8 METALLOY 1/2"	14711	-----	50421030	00	2
26	BOLT - CARRIAGE 1/2" x 1-1/2"	14711	-----	50091152	00	1
27	NUT - NYLOCK NC GR8 1/4"	14711	-----	50251000	00	29
28	GUARD - CONTROL PANEL	14711	-----	36053140	00	1

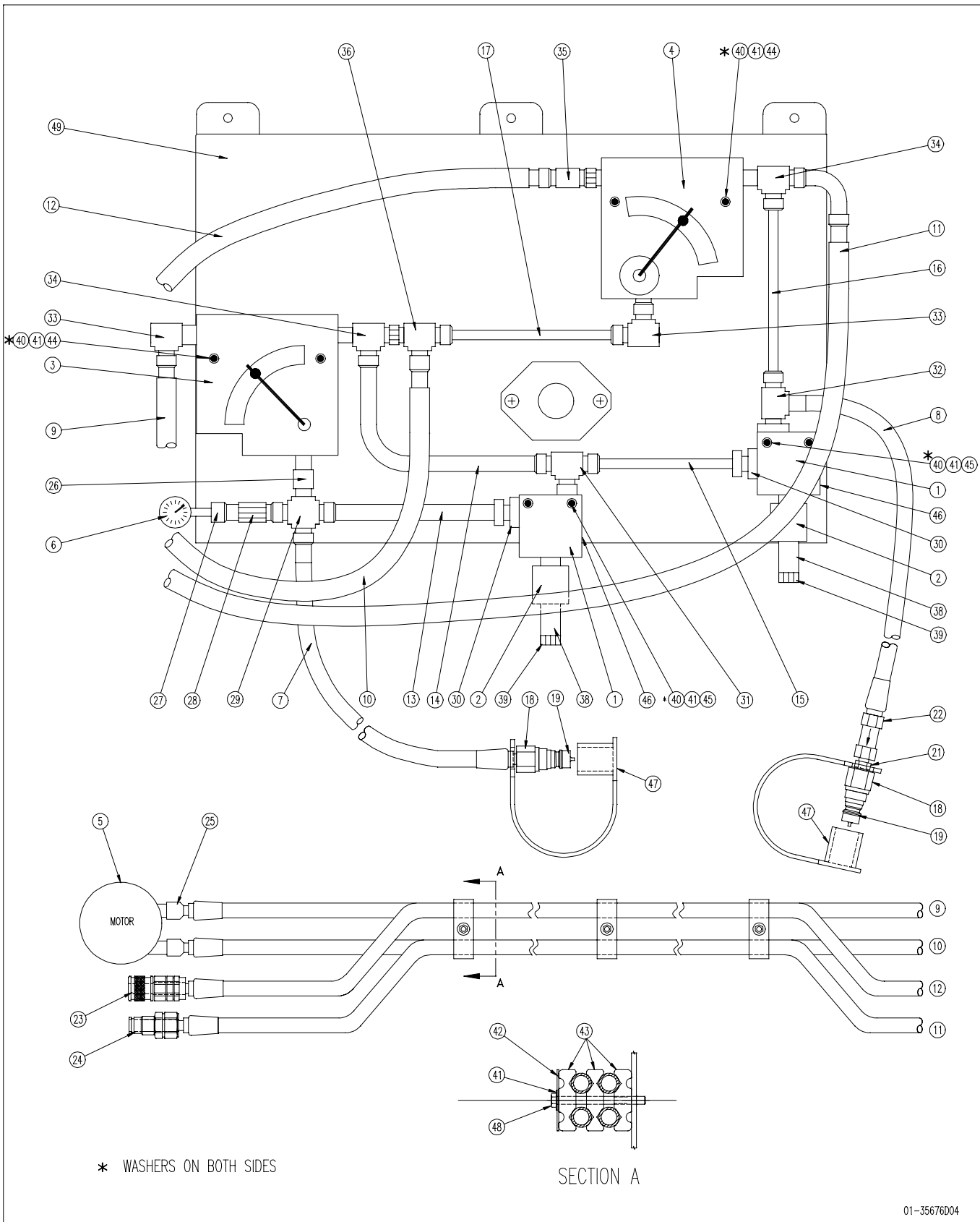
PROPASS 180 BASE MODEL (STOCK CODE #35005002)



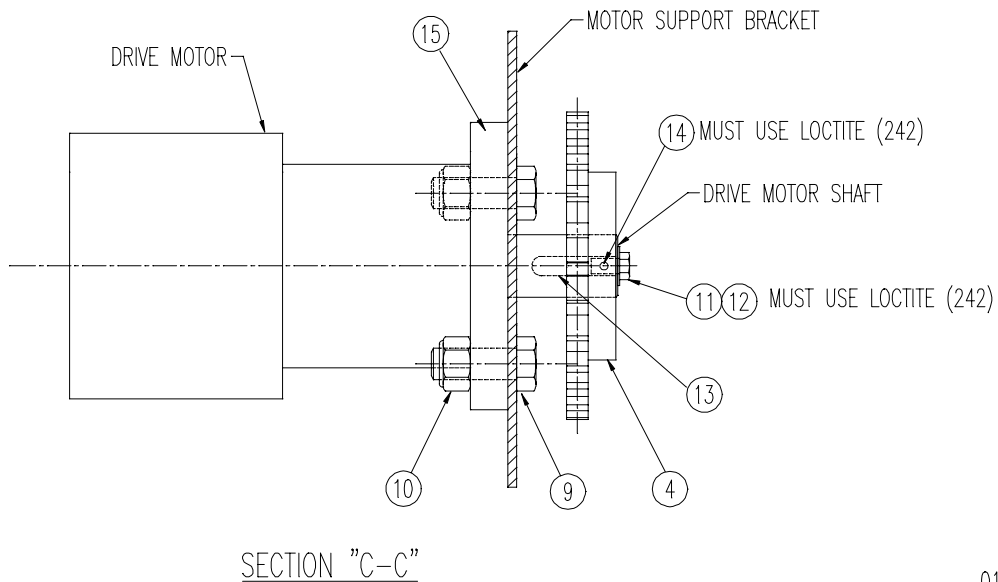
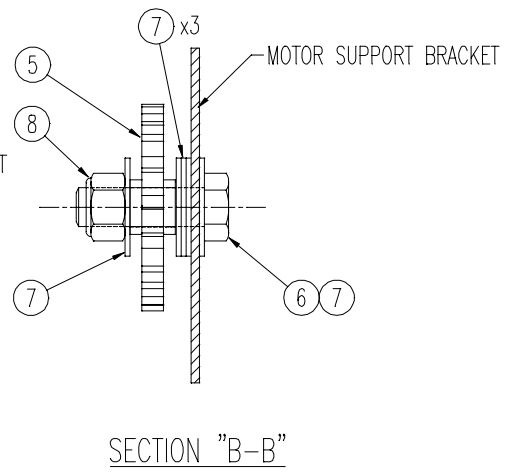
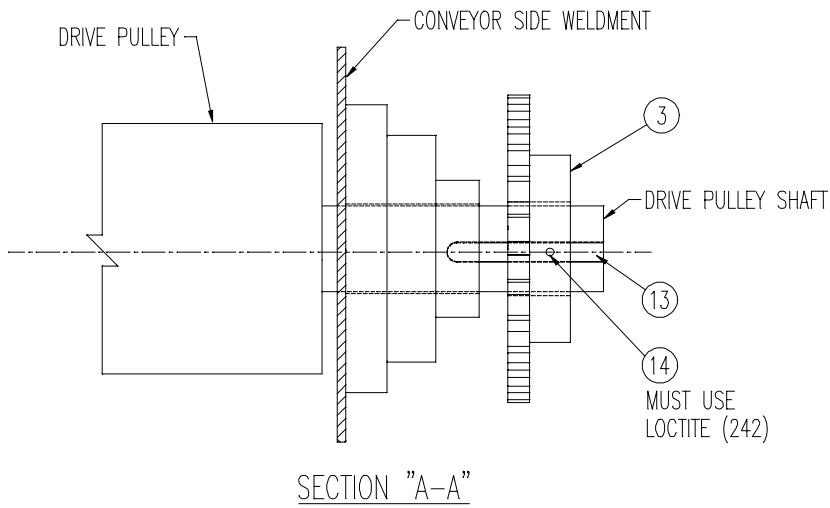
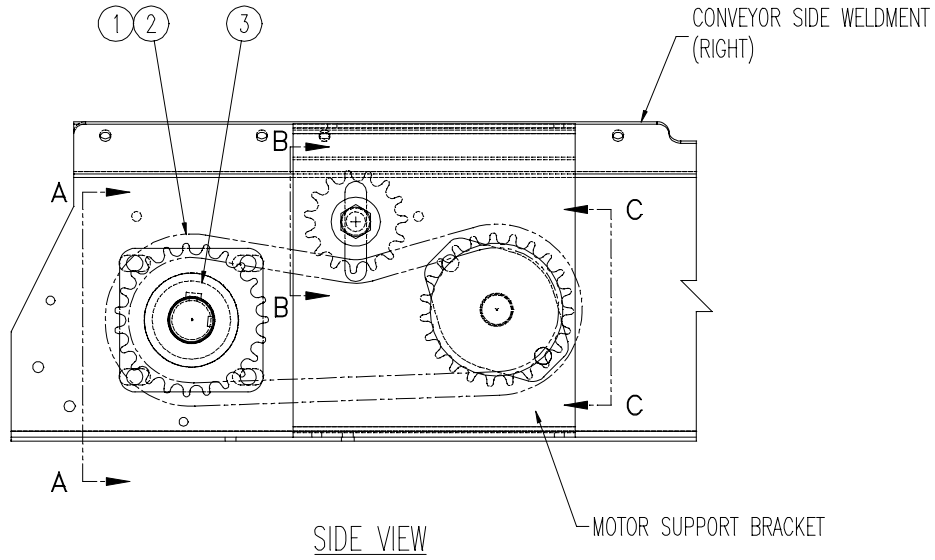
PROPASS 180 BASE MODEL PARTS LISTING (STOCK CODE #35005002)

ITEM	PART DESCRIPTION	SERIAL	TO SERIAL	PART NO.	REV	QTY
1	HYD VALVE BODY	14711	-----	56054034	00	2
2	HYD VALVE COIL	14711	-----	56054042	00	2
3	HYD VALVE CONTROL - FLOOR	14711	-----	56050999	00	1
4	HYD VALVE CONTROL - TWIN SPINNER	14711	-----	56051000	00	1
*	HYD VALVE CONTROL SEAL KIT	14711	-----	56051080	00	2
5	HYD FLOOR MOTOR	14711	-----	56011000	00	1
*	HYD FLOOR MOTOR SEAL KIT	14711	-----	56013000	00	1
6	GAUGE - HYD PRESSURE	14711	-----	56131000	00	1
7	HOSE - PRESSURE	14711	-----	36053090	00	1
8	HOSE - RETURN	14711	-----	36053080	00	1
9	HOSE - MOTOR PRESSURE	14711	-----	36053040	00	1
10	HOSE - MOTOR RETURN	14711	-----	36053050	00	1
11	HOSE - OPTION RETURN	14711	-----	36053070	00	1
12	HOSE - OPTION PRESSURE	14711	-----	36053060	00	1
13	TUBE ASSEMBLY	14711	-----	36053120	00	1
14	TUBE ASSEMBLY	14711	-----	36053130	00	1
15	TUBE ASSEMBLY	14711	-----	36053120	00	1
16	TUBE ASSEMBLY	14711	-----	36053100	00	1
17	TUBE ASSEMBLY	14711	-----	36053110	00	1
18	ADAPTER - 3/8" MNPT X 1/2 FNPT	14711	-----	56093025	00	2
19	COUPLER - QCK 3/8" MALE	14711	-----	56093040	00	2
21	CONNECTOR - 1/2"MPT - 1/2"MPT	14711	-----	56091114	00	1
22	HYD CHECK VALVE	14711	-----	56051012	00	1
23	COUPLER QCK FEMALE DRIPLESS	14711	-----	56152142	00	1
24	COUPLER QCK MALE DRIPLESS	14711	-----	56152145	00	1
25	CONNECTOR - 1/2" MJIC - 5/8" MORG	14711	-----	56091177	00	2
26	STR SWV - 1/2" FJIC - 1/2" MPT	14711	-----	56091359	00	1
27	RED BUSH HEX HD 1/2" MPT - 1/4" FPT	14711	-----	56091128	00	1
28	STR SWV 1/2" FJIC - 1/2" FPT	14711	-----	56091361	00	1
29	FOUR WAY 1/2" MJIC M2650-08	14711	-----	56091335	00	1
30	CONNECTOR 1/2" JIC - 1/2" O-RING	14711	-----	56091377	00	2
31	TEE- 1/2" MJIC-CTR 1/2" MORG - 1/2" M	14711	-----	56091351	00	1
32	TEE - 1/2" MJIC-CTR 1/2" MJIC - 1/2" MORG	14711	-----	56091353	00	1
33	ELBOW 90 1/2" MJIC - 1/2" MPT	14711	-----	56091184	00	1
34	TEE 1/2" MJIC - 1/2" MJIC - 1/2" MPT	14711	-----	56091336	00	2
35	CONNECTOR STR 1/2" MJIC - 1/2" MPT	14711	-----	56091158	00	1
36	TEE 1/2" FJIC - 1/2" MJIC - 1/2" MJIC	14711	-----	56091338	00	1

PROPASS 180 BASE MODEL (STOCK CODE #35005002)



PROPASS 180 BASE MODEL (STOCK CODE #35005002)

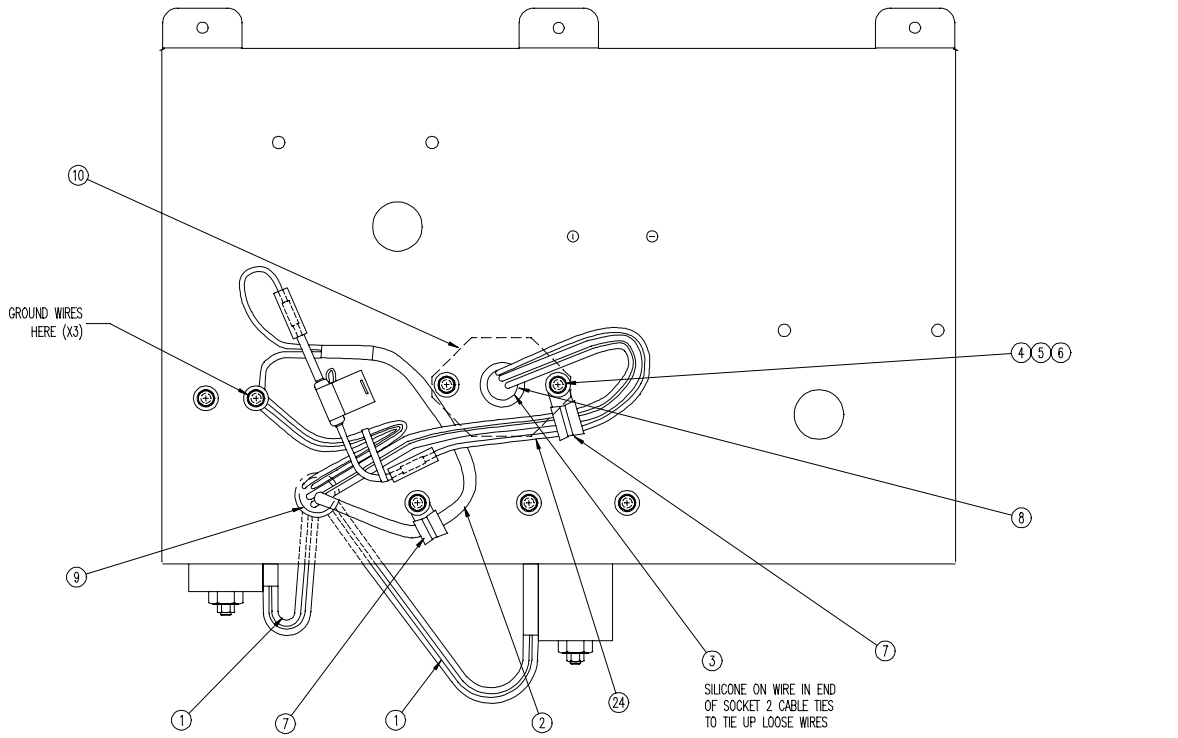


01-35642D01

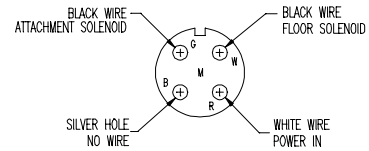
PROPASS 180 BASE MODEL PARTS LISTING (STOCK CODE #35005002)

ITEM	PART DESCRIPTION	SERIAL	TO SERIAL	PART NO.	REV	QTY
1	CHAIN	14711	-----	36051800	00	1
2	LINK - MASTER	14711	-----	60151066	00	1
3	SPROCKET - DRIVE ROLLER	14711	-----	60133052	00	1
4	SPROCKET - MOTOR	14711	-----	60133080	00	1
5	SPROCKET - TENSIONER	14711	-----	60134080	00	1
6	BOLT - GR8 5/8" x 2-1/2"	14711	-----	50031202	00	1
7	WASHER - FLAT GR8 METALLOY 5/8"	14711	-----	50421032	00	5
8	NUT - NYLOCK GR8 5/8"	14711	-----	50251000	00	1
9	BOLT - GR8 1/2" x 1-1/2"	14711	-----	50031134	00	2
10	NUT - NYLOCK GR8 1/2"	14711	-----	50251004	00	2
11	BOLT - GR8 1/4" x 3/4"	14711	-----	50031002	00	1
12	WASHER - FENDER SS 1/4" x 1-1/4" OD	14711	-----	50421082	00	1
13	KEY	14711	-----	36051810	00	1
14	SETSCREW	14711	-----	51121096	00	4
15	MOTOR FLANGE MOUNT	14711	-----	56013500	00	1

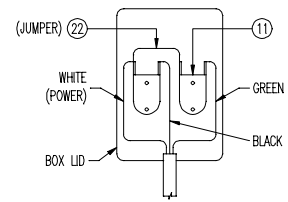
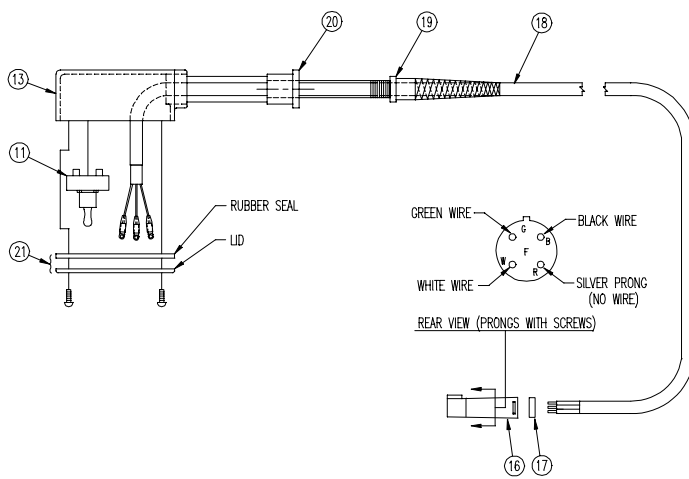
PROPASS 180 BASE MODEL (STOCK CODE #35005002)



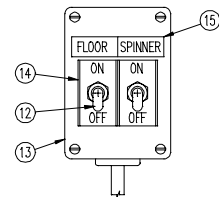
REAR VIEW



SOCKET REAR VIEW CONNECTIONS



SWITCH WIRING DETAIL
(BACK OF COVER PLATE)



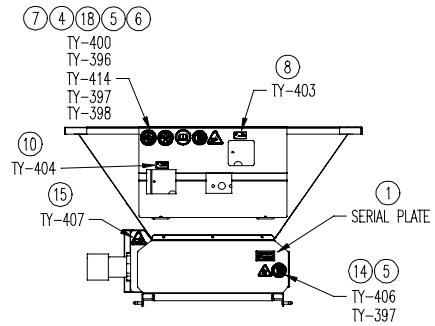
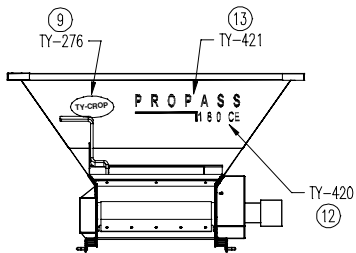
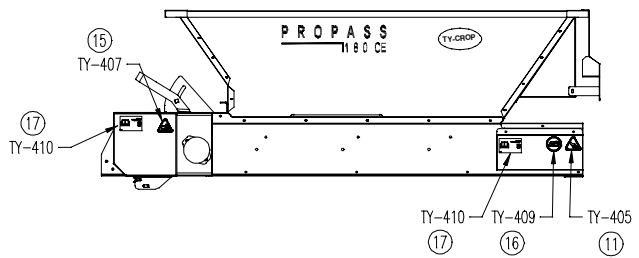
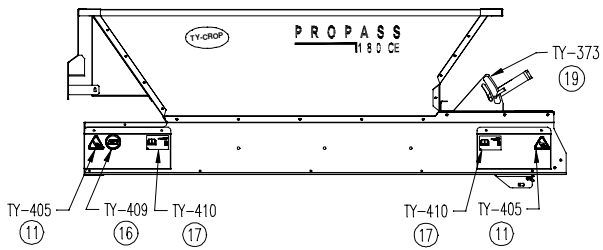
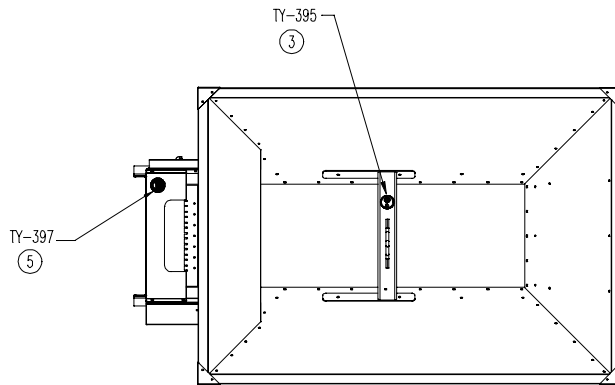
SWITCH & DECAL DETAIL
(FRONT OF COVER PLATE)

01-35466D02

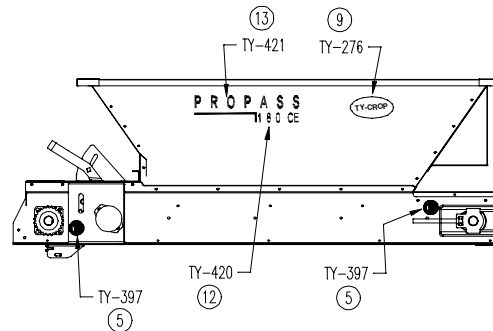
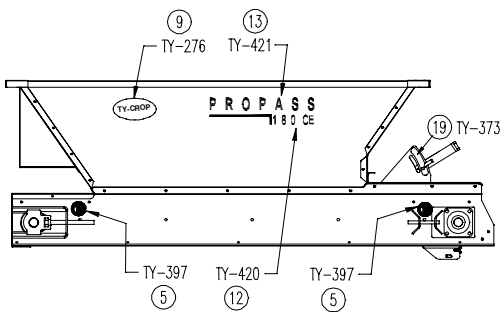
PROPASS 180 BASE MODEL PARTS LISTING (STOCK CODE #35005002)

ITEM	PART DESCRIPTION	SERIAL	TO SERIAL	PART NO.	REV	QTY
1	HARNESS - SOLENOID	14711	-----	36054130	00	2
2	HARNESS - POWER FEED	14711	-----	36054110	00	1
3	CABLE TIES	14711	-----	58071000	00	2
4	BOLT - CARRIAGE 1/4" X 1"	14711	-----	50091004	00	2
5	WASHER - FLAT 1/4"	14711	-----	50421002	00	2
6	NUT - NYLOCK 1/4"	14711	-----	50241008	00	2
7	CLAMPS - RUBBER	14711	-----	58071010	00	2
8	GROMMET - RUBBER 3/8"ID	14711	-----	58075054	00	1
9	GROMMET - RUBBER	14711	-----	58075710	00	1
10	SOCKET - 4 WAY	14711	-----	36014134	00	1
11	SWITCH - TOGGLE	14711	-----	58071534	00	2
12	BOOT RUBBER - SWITCH	14711	-----	58071546	00	2
13	HOUSING - PENDANT	14711	-----	36054080	00	1
14	GUARD - SWITCH	14711	-----	58071548	00	2
15	DECAL - "FLOOR" "SPINNER"	14711	-----	60032043	00	1
16	PLUG	14711	-----	58071127	00	1
17	GROMMET	14711	-----	58075054	00	1
18	CORD - PENDANT	14711	-----	36044120	00	1
19	CONNECTOR	14711	-----	58054030	00	1
20	BUSHING	14711	-----	58054040	00	1
21	BOX LID W/GASKET	14711	-----	58054016	00	1
22	CONNECTOR - WIRE	14711	-----	36044095	00	1
23	PENDANT ASSEMBLY	14711	-----	36054090	00	1
24	WIRE - POWER FEED	14711	-----	36054120	00	1

PROPASS 180 BASE MODEL (STOCK CODE #35005002)



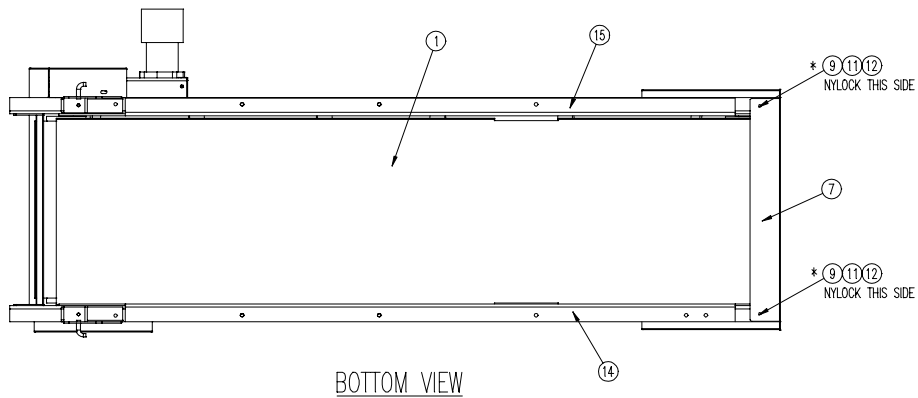
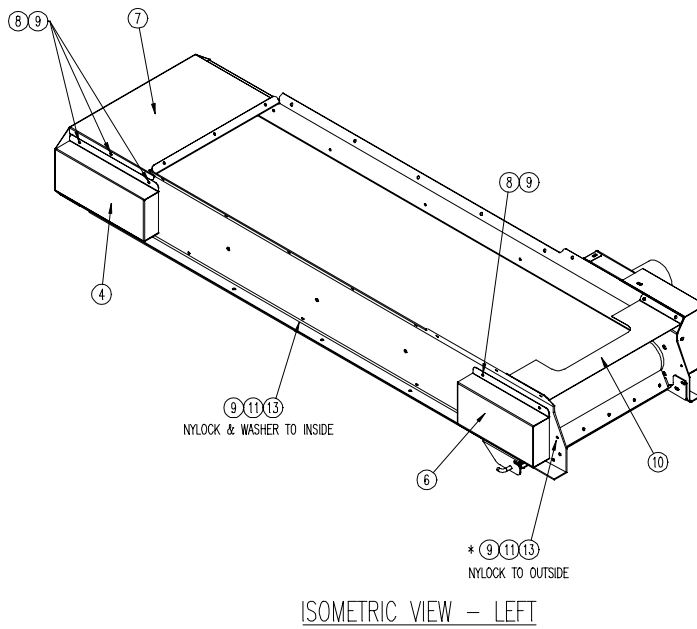
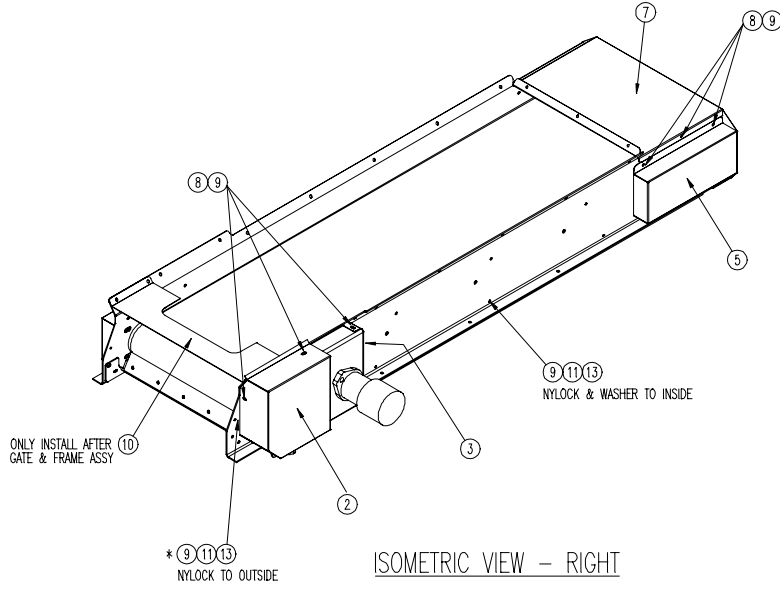
WITH GUARDS



WITHOUT GUARDS

01-42113D00

PROPASS 180 BASE MODEL (STOCK CODE #35005002)



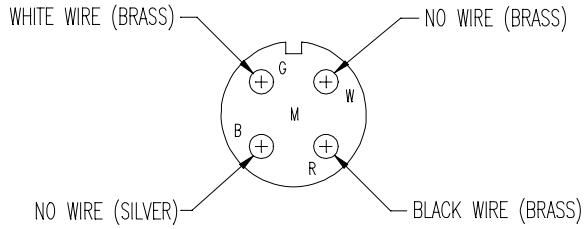
* WASHERS BOTH SIDES

01-35479D04

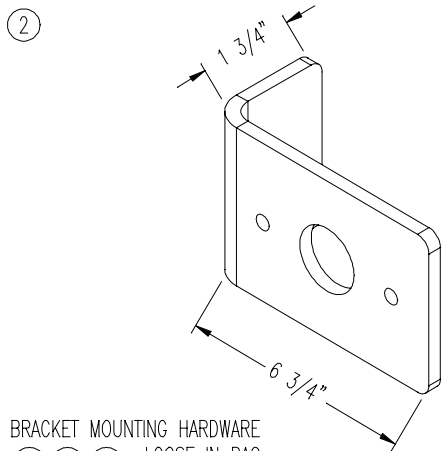
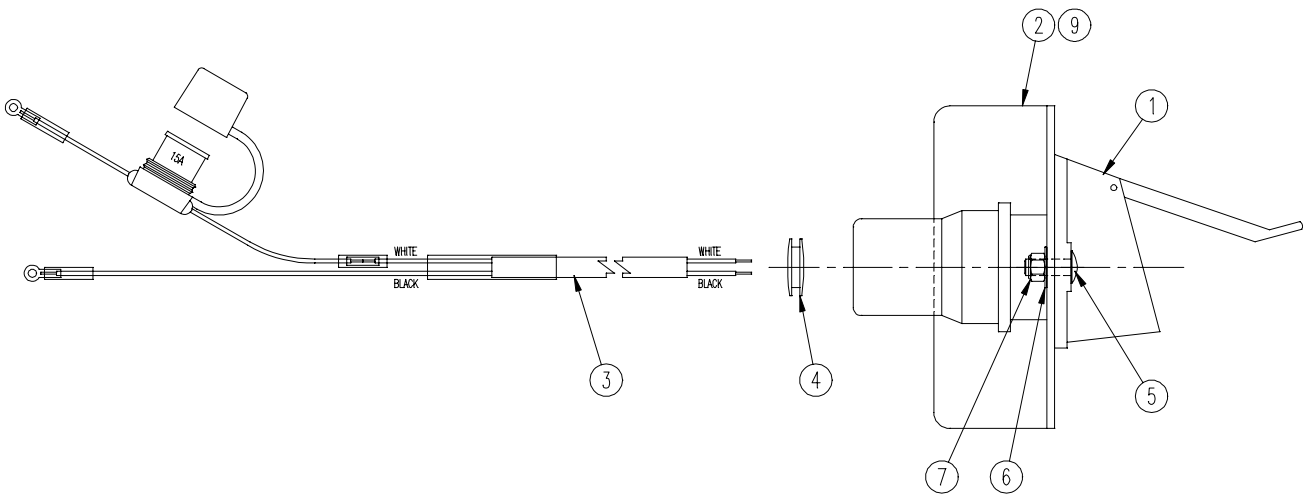
PROPASS 180 BASE MODEL PARTS LISTING (STOCK CODE #35005002)

ITEM	PART DESCRIPTION	SERIAL	TO SERIAL	PART NO.	REV	QTY
1	GUARD - BOTTOM	14711	-----	36051702	00	1
2	GUARD - DRIVE ROLLER RIGHT HAND	14711	-----	36051640	00	1
3	GUARD CAP - DRIVE ROLLER RIGHT HAND	14711	-----	36051645	00	1
4	GUARD - IDLER ROLLER LEFT HAND	14711	-----	36051630	00	1
5	GUARD - IDLER ROLLER RIGHT HAND	14711	-----	36051635	00	1
6	GUARD - DRIVE ROLLER LEFT HAND	14711	-----	36051650	00	1
7	GUARD - FRONT	14711	-----	36051655	00	1
8	BOLT - GR8 1/4" x 5/8"	14711	-----	50031003	00	11
9	WASHER - FLAT GR8 METALLOY 1/4"	14711	-----	50421029	00	32
10	GUARD - REAR	14711	-----	36051667	00	1
11	NUT - NYLOCK GR8 1/4"	14711	-----	50251000	00	14
12	BOLT- GR8 1/4" x 3/4"	14711	-----	50031002	00	2
13	BOLT - GR8 1/4" x 1"	14711	-----	50031004	00	12
14	RAIL DOUBLER - LEFT HAND	14711	-----	36051608	03	1
15	RAIL DOUBLER - RIGHT HAND	14711	-----	36051618	03	1

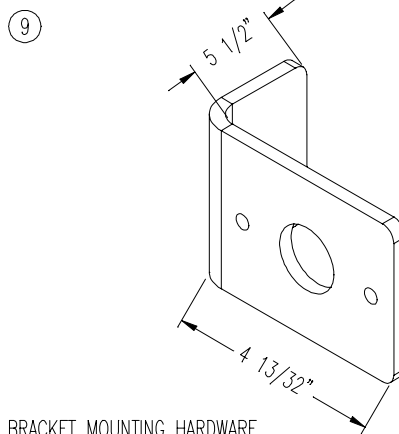
ELECTRICAL CONNECTION KIT (STOCK CODE #35005030)



SOCKET REAR VIEW CONNECTIONS



BRACKET MOUNTING HARDWARE
 10 11 12 LOOSE IN BAG



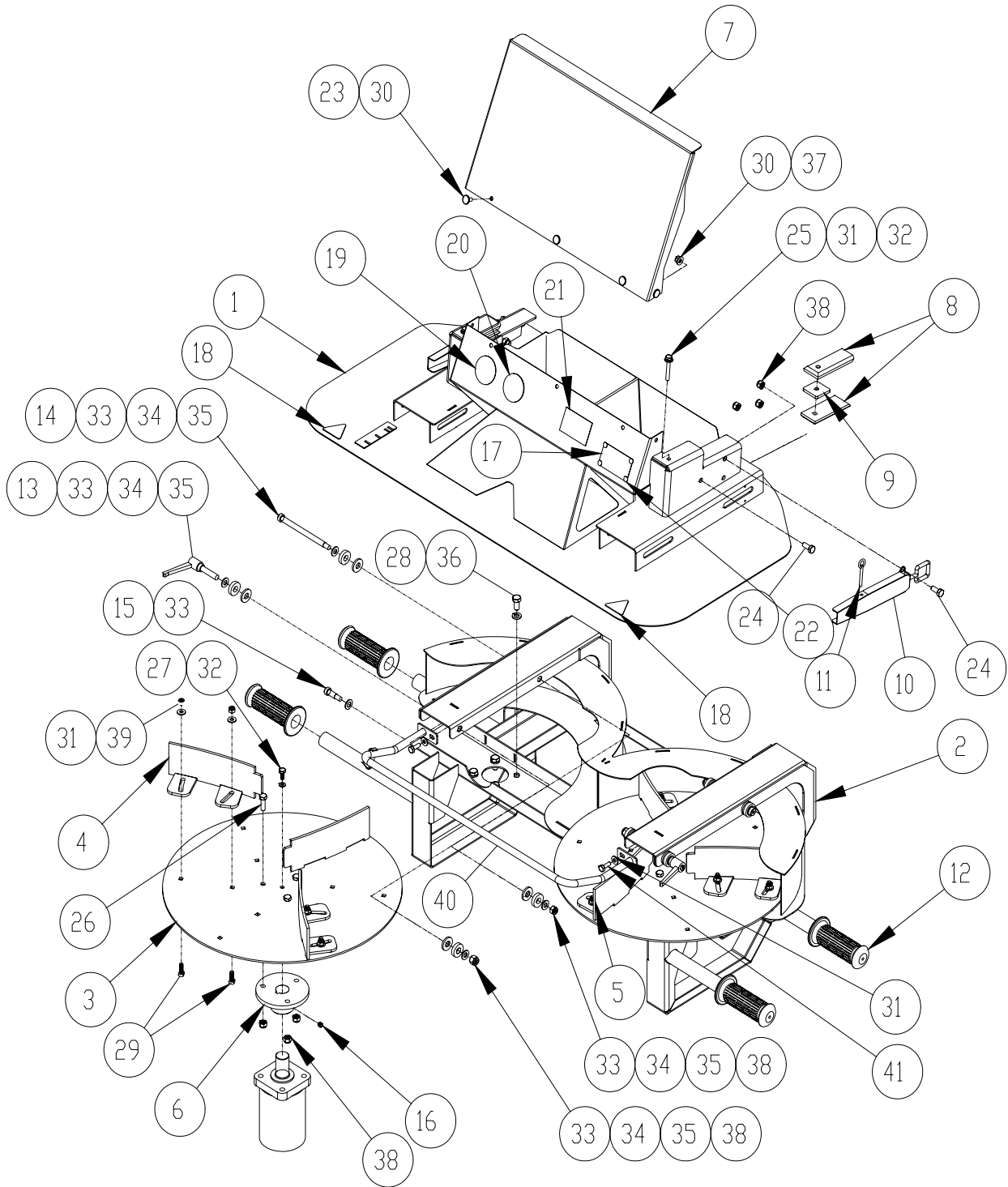
BRACKET MOUNTING HARDWARE
 10 11 12 LOOSE IN BAG

01-35465-B01

ELECTRICAL CONNECTION KIT PARTS LISTING (STOCK CODE #35005030)

ITEM	PART DESCRIPTION	SERIAL	TO SERIAL	PART NO.	REV	QTY
1	SOCKET - 4 WAY	27319	-----	36014134	00	1
2	ELECTRICAL PLUG BRACKET (LARGE)	27319	-----	36054020	00	1
3	WIRING HARNESS	27319	-----	36054010	00	1
4	GROMMET	27319	-----	58075054	00	1
5	BOLT - CARRIAGE 1/4" x 1"	27319	-----	50091004	00	2
6	WASHER - FLAT GR8 METALLOY 1/4"	27319	-----	50421029	00	2
7	NUT - NYLOCK GR8 1/4"	27319	-----	50251000	00	2
8	FUSE - 15 AMP	27319	-----	58037330	00	1
9	ELECTRICAL PLUG BRACKET (SMALL)	27319	-----	36054030	00	1
10	BOLT - GR8 1/4" x 3/4"	27319	-----	50031002	00	2
11	WASHER - FLAT GR8 METALLOY 1/4"	27319	-----	50421029	00	4
12	NUT - NYLOCK GR8 1/4"	27319	-----	40251000	00	2

PROPASS—TWIN SPINNER (STOCK CODE #0000-2155)

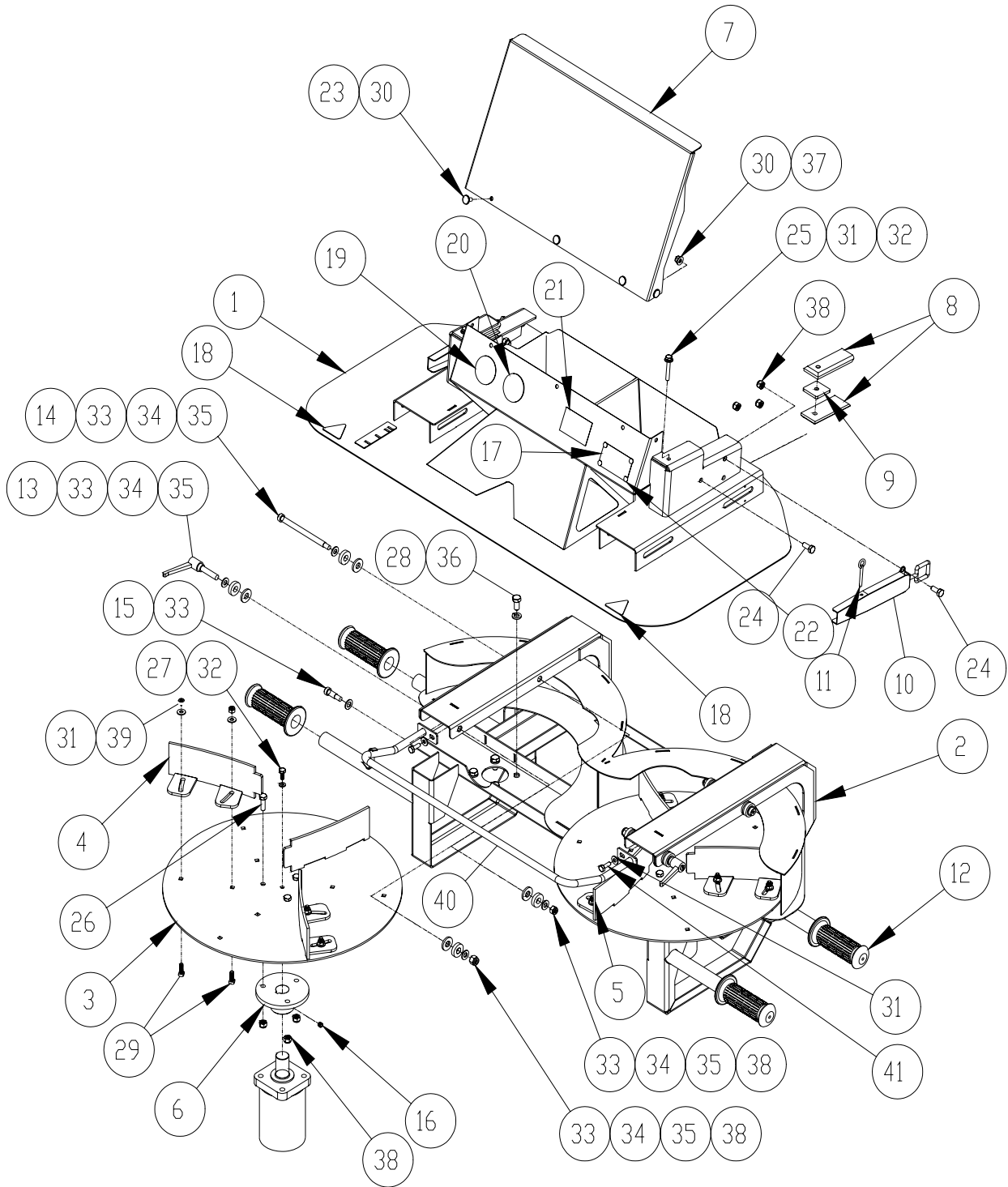


REF: 0000-2648

PROPASS—TWIN SPINNER (STOCK CODE #0000-2155)

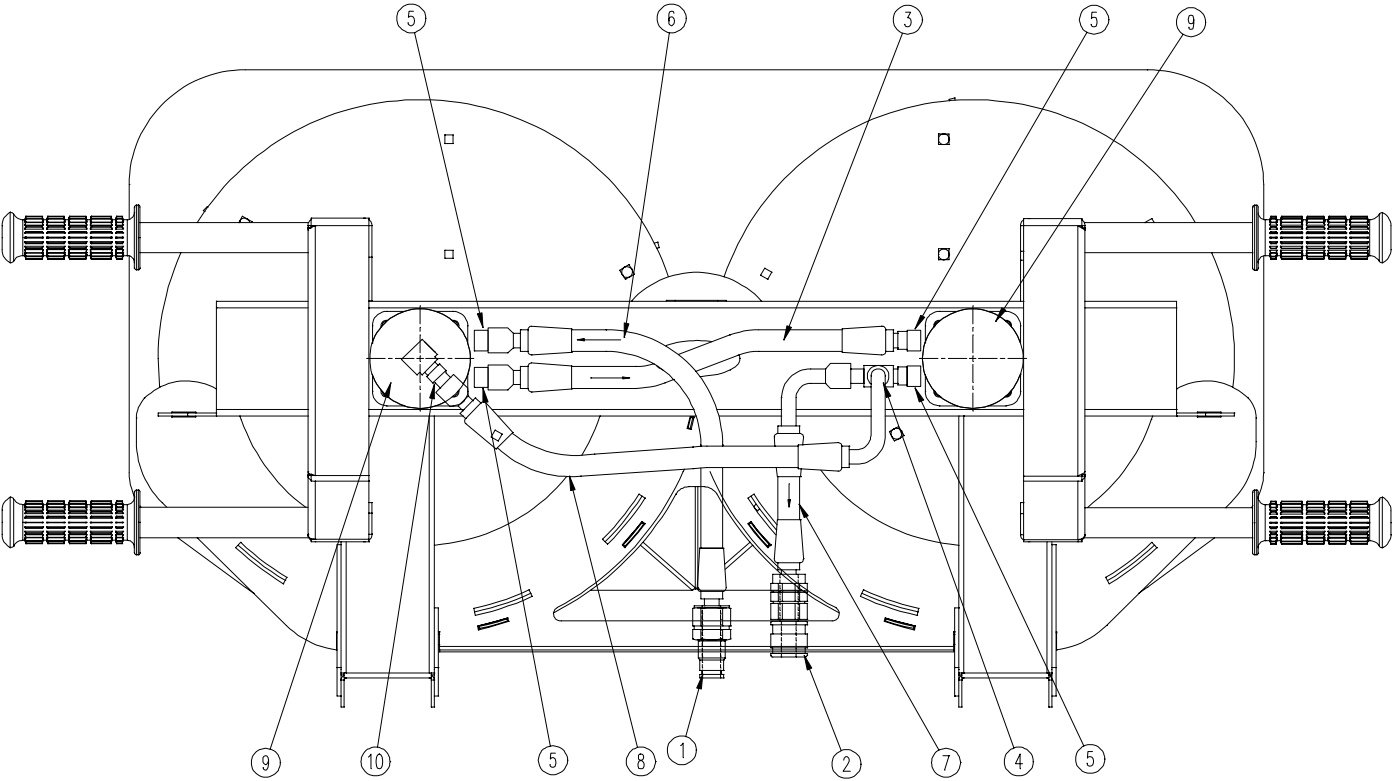
ITEM	PART DESCRIPTION	SERIAL	TO SERIAL	PART NO.	REV	QTY
1	TOP PLATE ASSEMBLY	16266	-----	0000-2199		1
2	BASE PLATE ASSEMBLY	16266	-----	0000-2209		1
3	DISK	16266	-----	0000-2193		2
4	CURVED PADDLE ASSEMBLY (LH)	16266	-----	0000-2171		3
5	CURVED PADDLE ASSEMBLY (RH)	16266	-----	0000-2166		3
6	THRU HUB	16266	-----	0000-1437		2
7	TOP HOPPER WALL GUARD	16266	-----	0000-2159		1
8	ATTACHMENT UHMW	16266	-----	0000-2191		4
9	ATTACHMENT SPACER	16266	-----	0000-2189		2
10	LATCH-STAKE DUMP 782-0034	16266	-----	0000-4817		2
11	LATCH PIN PK/25	16266	-----	62011914		2
12	GRIP VINYL BLACK 1"ID X 4-3/4"	16266	-----	62021010		4
13	ADJUSTABLE HANDLE ZINC 3/8" MALE	16266	-----	0000-2676		4
14	BOLT - STRIPPER 3/8" X 4-1/2" SHAFT	16266	-----	0000-2385		2
15	BOLT - STRIPPER 3/8" X 3/4" SHAFT	16266	-----	0000-2388		2
16	SETSCREW SOCK HD 5/16" X 5/16" NC	16266	-----	51121096		4
17	SERIAL NUMBER PLATE	16266	-----	0000-2185		1
18	DECAL TY-408 ISO SHEAR HAZARD	16266	-----	60033513		2
19	DECAL TY-414 ISO READ MANUAL	16266	-----	60033517		1
20	DECAL TY-401 ISO 2 PERSON LIFT	16266	-----	60033506		1
21	DECAL TY-402 ISO PROJECTILES	16266	-----	60033507		1
22	RIVET POP 1/8" X .187"	16266	-----	52011010		4
23	BOLT SS BUTTON HD NC 1/4" X 5/8"	16266	-----	50071078		5
24	BOLT NC GR8 PLTD 5/16" X 3/4"	16266	-----	50031036		6
25	BOLT NC GR8 PLTD 1/4" X 1-3/4"	16266	-----	50031010		2
26	BOLT NC GR8 PLTD 5/16" X 1"	16266	-----	50031038		6
27	BOLT NC GR8 PLTD 1/4" X 5/8"	16266	-----	50031003		2
28	BOLT NC GR8 PLTD 3/8" X 3/4"	16266	-----	50031068		8
29	BOLT CARRIAGE NC PLTD 1/4" x 1-3/4"	16266	-----	50091002		12
30	WASHER FLAT STAINLESS 1/4"	16266	-----	50421106		10
31	WASHER FLAT METALLOY 1/4"	-----	-----	50421029		16
32	WASHER LOCKING METALLOY 1/4"	16266	-----	50401040		4
33	WASHER FLAT METALLOY 3/8"	16266	-----	50421028		10
34	WASHER UHMW OUTER	16266	-----	0000-2386		8
35	WASHER UHMW	16266	-----	0000-2160		8
36	WASHER LOCKING METALLOY 3/8"	16266	-----	50401044		8
37	NUT SS NYLOCK 1/4"	16266	-----	50071020		5
38	NUT NYLOCK NC GR8 5/16"	16266	-----	50251003		16
39	NUT NYLOCK NC GR8 1/4"	16266	-----	50251000		12

PROPASS—TWIN SPINNER (STOCK CODE #0000-2155)

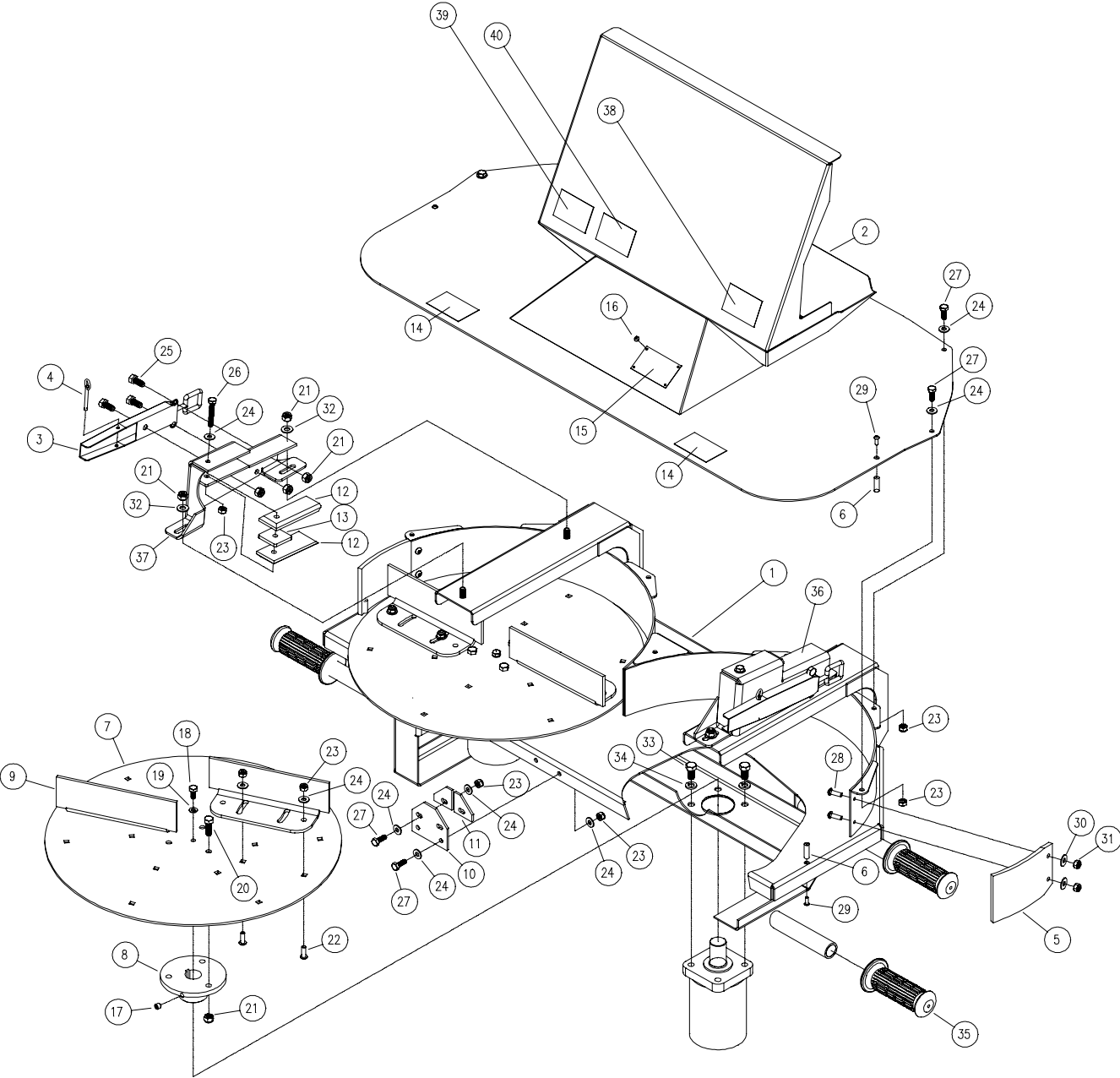


REF: 0000-2648

PROPASS—TWIN SPINNER (STOCK CODE #0000-2155)



PROPASS—TWIN SPINNER (STOCK CODE #35005012)

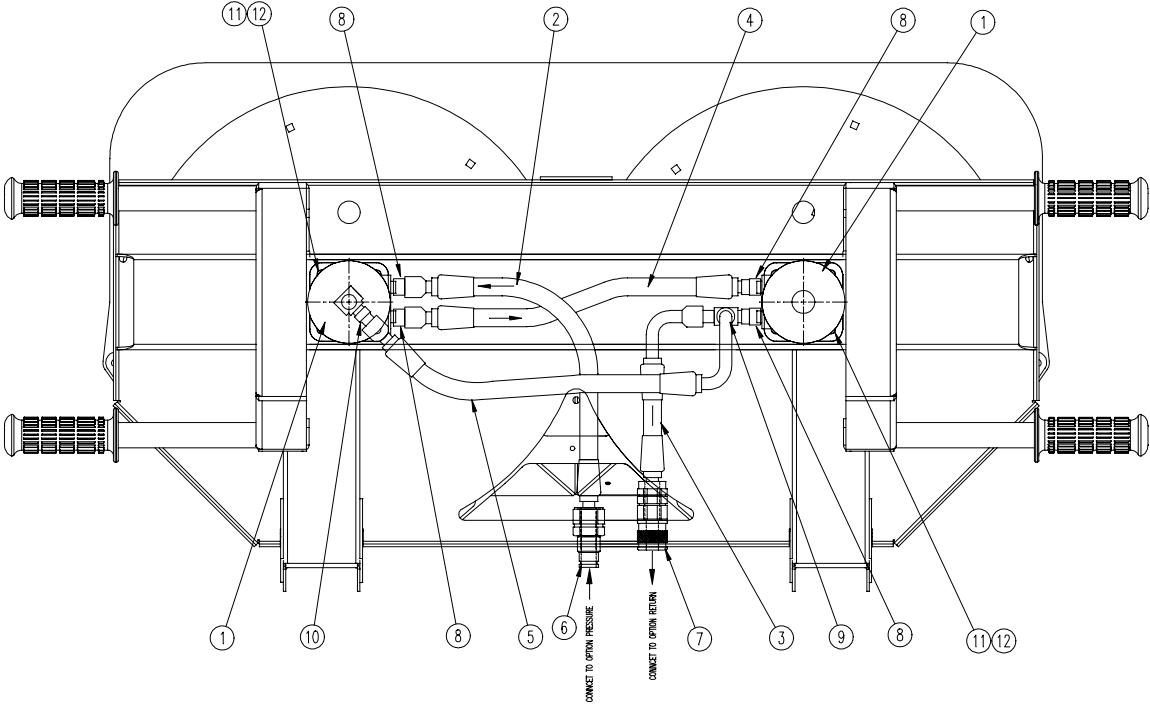


01-42137-B00

PROPASS—TWIN SPINNER (STOCK CODE #35005012)

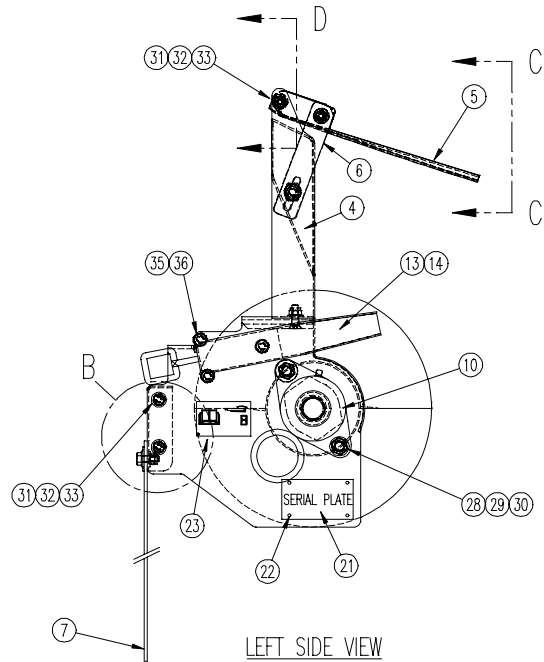
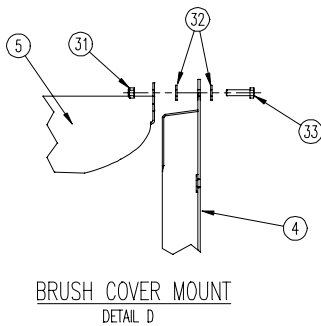
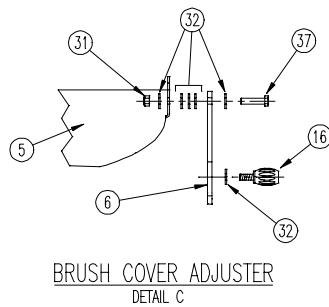
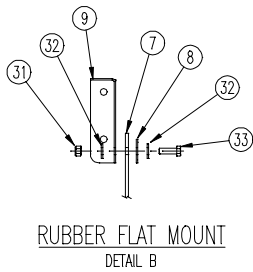
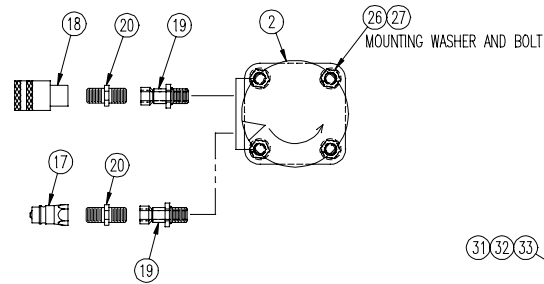
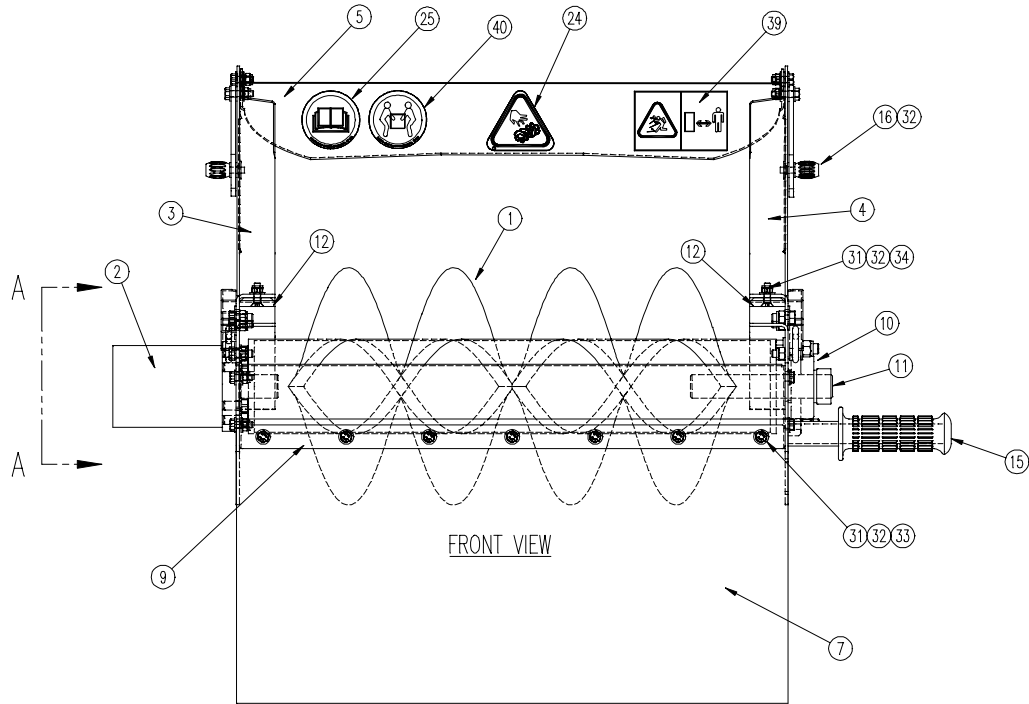
ITEM	PART DESCRIPTION	SERIAL	TO SERIAL	PART NO.	REV	QTY
1	HOUSING - TWIN SPINNER	14670	16195	36054601	00	1
2	HOPPER - TWIN SPINNER	14670	16195	36054511	00	1
3	LATCH	14670	16195	0000-4817	00	2
4	LATCH PIN	14670	16195	62011914	00	2
5	RUBBER - SAFETY	14670	16195	36054540	00	2
6	RETAINER - SAFETY RUBBER	14670	16195	36054545	00	4
7	DISK - TWIN SPINNER	14670	16195	36054790	00	2
8	HUB - SPINNER DISK	14670	16195	36054780	00	2
9	PADDLE - ADJUSTABLE	14670	16195	36054770	00	4
10	STOPPER MOUNT	14670	16195	36054520	00	1
11	STOPPER	14670	16195	36054530	00	2
12	BEARING BAR - TWIN SPINNER	14670	16195	36054550	00	4
13	SPACER	14670	16195	36051590	00	2
14	DECAL - TY-408 SPINNER SHEAR HAZARD	14670	16195	60033513	00	2
15	SERIAL NUMBER PLATE	14670	16195	CALL DISTRIBUTOR	00	1
16	RIVET	14670	16195	52011010	00	4
17	SETSCREW	14670	16195	51121096	00	4
18	BOLT - GR8 1/4" x 5/8"	14670	16195	50031003	00	2
19	WASHER - LOCKING METALLOY 1/4"	14670	16195	50401040	00	2
20	BOLT - GR8 5/16" x 1"	14670	16195	50031038	00	6
21	NUT - NYLOCK GR8 5/16"	14670	16195	50251003	00	16
22	BOLT - CARRIAGE 1/4" x 3/4"	14670	16195	50091002	00	8
23	NUT - NYLOCK GR8 1/4"	14670	16195	50251000	00	21
24	WASHER - FLAT GR8 METALLOY 1/4"	14670	16195	50421029	00	25
25	BOLT - GR8 5/16" x 3/4"	14670	16195	50031036	00	10
26	BOLT - GR8 1/4" x 1-3/4"	14670	16195	50031010	00	2
27	BOLT - GR8 1/4" x 3/4"	14670	16195	50031002	00	11
28	BOLT - SS BUTTONHEAD 1/4" x 3/4"	14670	16195	50070977	00	4
29	METAL SCREW #8 x 1/2"	14670	16195	51161149	00	4
30	WASHER - FLAT SS 1/4"	14670	16195	50421105	00	4
31	NUT - NYLOCK SS 1/4" ZINC	14670	16195	50071020	00	4
32	WASHER - FLAT GR8 METALLOY 5/16"	14670	16195	50421026	00	4
33	BOLT - GR8 3/8" x 3/4"	14670	16195	50031068	00	8
34	WASHER - LOCKING METALLOY 3/8"	14670	16195	50401044	00	8
35	GRIP - VINYL	14670	16195	62021010	00	4
36	MOUNT BRACKET - RIGHT	14670	16195	36054610	00	1
37	MOUNT BRACKET - LEFT	14670	16195	36054620	00	1
38	DECAL - TY-402 PROJECTILE HAZARD	14670	16195	60033507	00	1
39	DECAL - TY-414 READ MANUAL	14670	16195	60033517	00	1
40	DECAL - TY-401 TWO PERSON LIFT	14670	16195	60033506	00	1

PROPASS—TWIN SPINNER (STOCK CODE #35005012)



42108D00

PROPASS VORTEX BRUSH (STOCK CODE #35005037)

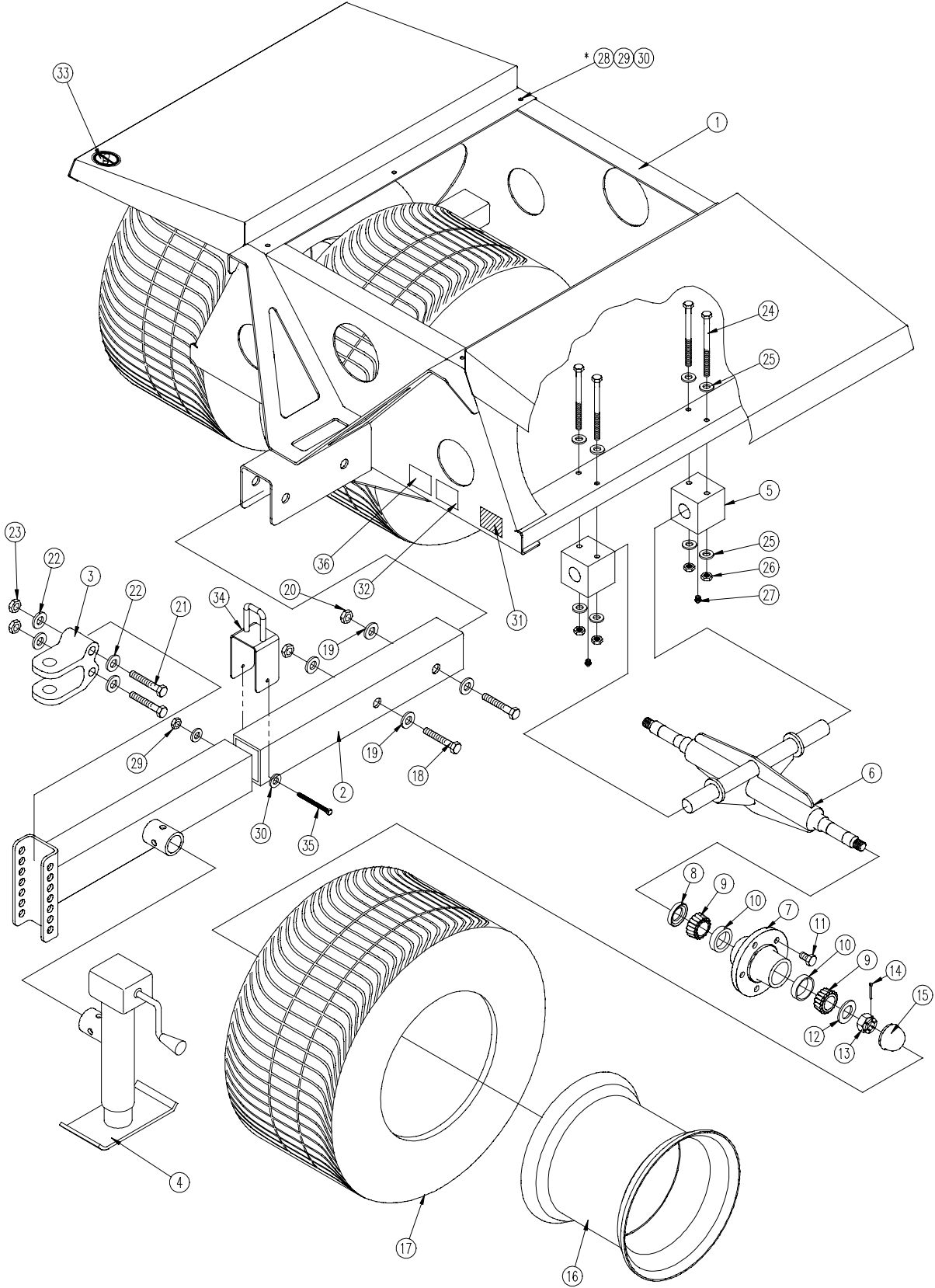


01-42150000

PROPASS VORTEX BRUSH PARTS LISTING (STOCK CODE #35005037)

ITEM	PART DESCRIPTION	SERIAL	TO SERIAL	PART NO.	REV	QTY
1	VORTEX BRUSH	14381	-----	36055100	00	1
2	HYDRAULIC MOTOR	14381	-----	56011033	00	1
*	HYD MOTOR SEAL KIT	14381	-----	56013011	00	1
3	BRACKET - MOUNT RH	14381	-----	36055160	00	1
4	BRACKET - MOUNT LH	14381	-----	36055150	00	1
5	COVER -METERING	14381	-----	36055110	00	1
6	ARM - ADJUSTING	14381	-----	36055120	00	2
7	DEFLECTOR - RUBBER	14381	-----	36055170	00	1
8	RETAINER - DEFLECTOR	14381	-----	36055180	00	1
9	MOUNT - RUBBER DEFLECTOR	14381	-----	36055190	00	1
10	FLANGE BEARING - 2 BOLT (SAFL 205)	14381	-----	60115160	00	1
11	SHAFT STUB - IDLE	14381	-----	36055130	00	1
12	BEARING BAR - VORTEX BRUSH	14381	-----	36055140	00	2
13	LATCH - STAKE DUMP	14381	-----	0000-4817	00	2
14	LATCH PIN	14381	-----	62011914	00	2
15	GRIP - VINYL BLACK	14381	-----	62021010	00	1
16	HAND WHEEL KNOB	14381	-----	50997025	00	2
17	COUPLER - QCK DRIPPLESS MALE	14381	-----	56152145	00	1
18	COUPLER - QCK DRIPPLESS FEMALE	14381	-----	56152142	00	1
19	SWV STR 5/8MORG - 1/2PFT	14381	-----	56091208	00	2
20	CONN NIPPLE 1/2MPT - 1/2MPT	14381	-----	56091114	00	2
21	SERIAL NUMBER PLATE	14381	-----	CALL DISTRIBUTOR	00	1
22	RIVOT POP 1/8" x .187	14381	-----	52011010	00	4
23	DECAL - TY-410 ISO GREASE POINT	14381	-----	60033515	00	1
24	DECAL - TY-413 ISO ABRASION HAZARD	14381	-----	60033518	00	1
25	DECAL - TY-414 ISO READ MANUAL	14381	-----	60033517	00	1
26	BOLT - GR8 PLTD 3/8" x 3/4"	14381	-----	50031068	00	4
27	WASHER - LOCKING PLTD 3/8"	14381	-----	50401014	00	4
28	BOLT - GR8 PLTD 7/16" x 1-1/4"	14381	-----	50031104	00	2
29	NUT - NYLOCK GR8 7/16"	14381	-----	50251005	00	2
30	WASHER—FLAT GR8 ZINC 7/16"	14381	-----	50402050	00	2
31	NUT - NYLOCK GR8 1/4"	14381	-----	50251000	00	17
32	WASHER - FLAT GR8 1/4"	14381	-----	50421029	00	40
33	BOLT - GR8 1/4" x 3/4"	14381	-----	50031002	00	23
34	BOLT - FLAT HEAD 1/4" x 1"	14381	-----	51151011	00	2
35	BOLT - GR8 5/16" x 3/4"	14381	-----	50031036	00	6
36	NUT - NYLOCK GR8 5/16"	14381	-----	50251003	00	6
37	BOLT - GR8 1/4" x 1"	14381	-----	50031004	00	2
38	SET SCREWS 1/4" x 3/8"	14381	-----	51121094	00	4
39	DECAL - TY-402 ISO PROJECTILE HAZARD	14381	-----	60033507	00	1
40	DECAL - TY-401 ISO TWO PERSON LIFT	14381	-----	60033506	00	1

PROPASS TOW BEHIND CHASSIS (STOCK CODE #35005022)

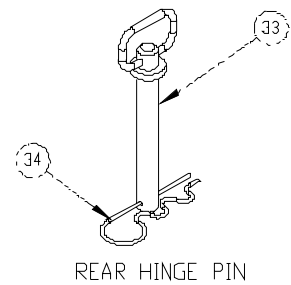
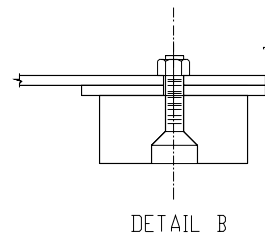
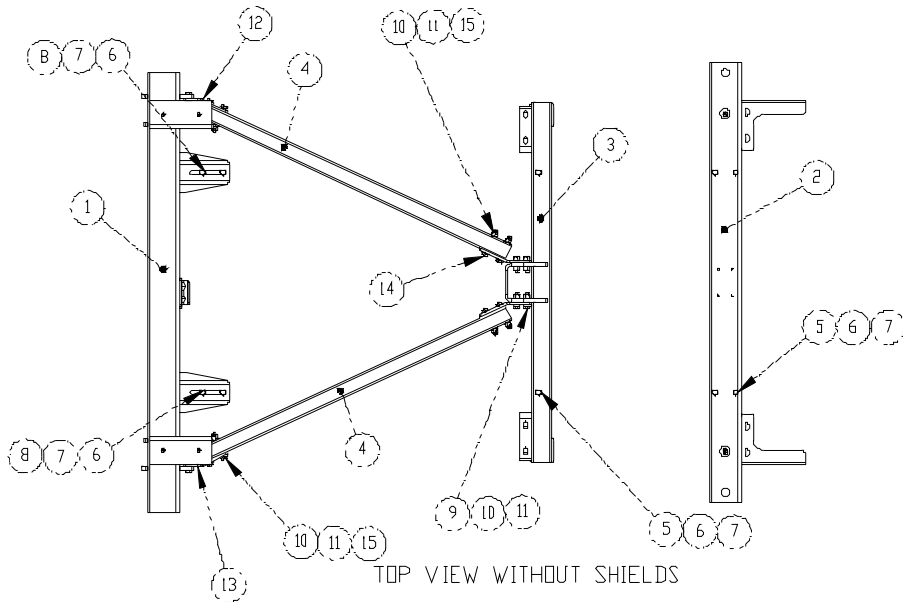
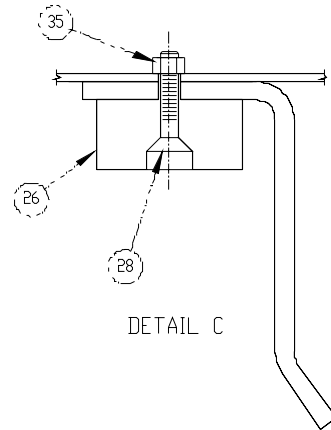
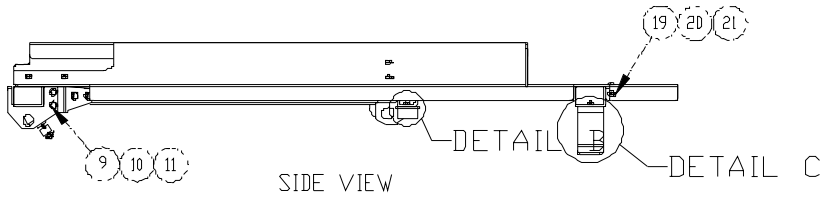
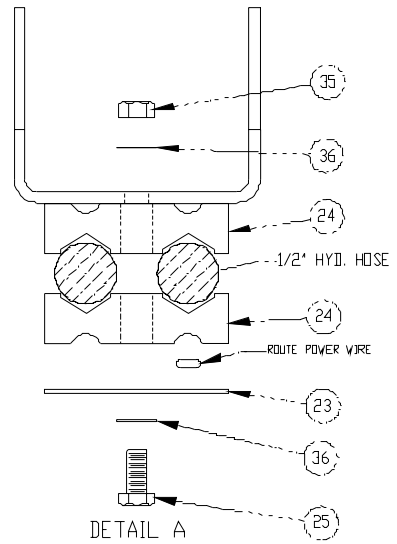
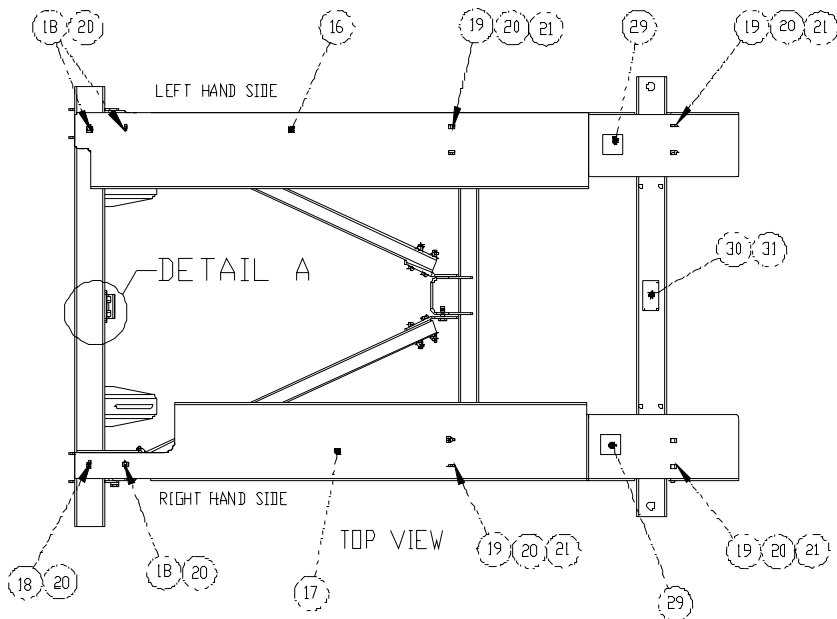


* WASHERS ON BOTH SIDES

PROPASS TOW BEHIND CHASSIS PARTS LISTING (STOCK CODE #35005022)

ITEM	PART DESCRIPTION	SERIAL	TO SERIAL	PART NO.	REV	QTY
1	SUSPENSION CHASSIS	27341	-----	36052000	00	1
2	HITCH TUBE	27341	-----	36052110	00	1
3	HITCH CLEVIS	27341	-----	62021100	00	1
4	JACK - SIDEWIND	27341	-----	0000-3423	00	1
5	BEARING - WALKING BEAM	27341	-----	36032010	04	4
6	WALKING BEAM	27341	-----	36032020	00	2
7	HUB - 1250 LB.	27341	-----	54031034	00	4
8	SEAL - BEARING	27341	-----	54051017	00	4
9	BEARING - HUB	27341	-----	54050950	00	8
10	RACE - HUB	27341	-----	54051039	00	8
11	STUD - HUB	27341	-----	54051052	00	20
12	WASHER - SPINDLE	27341	-----	54051067	00	4
13	NUT - SPINDLE	27341	-----	54051057	00	4
14	COTTER PIN - 5/32" x 1-1/4"	27341	-----	50991013	00	4
15	CAP - HUB	27341	-----	54051031	00	4
16	WHEEL 12 X 10.5 X 5 BOLT	27341	-----	54011017	00	4
17	TIRE 24 x 13 x 12NHS ULTRA	27341	-----	68021070	00	4
18	BOLT - GR8 3/4" x 5"	27341	-----	50031258	00	2
19	WASHER - FLAT GR8 3/4"	27341	-----	50421034	00	4
20	NUT - NYLOCK GR8 3/4"	27341	-----	50251007	00	2
21	BOLT - GR8 5/8" x 4-1/2"	27341	-----	50031214	00	2
22	WASHER - GR8 5/8"	27341	-----	50421032	00	4
23	NUT - NYLOCK GR8 5/8"	27341	-----	50251006	00	2
24	BOLT - GR8 3/8" x 6"	27341	-----	50031098	00	8
25	WASHER - FLAT GR8 METALLOY 3/8"	27341	-----	50421028	00	16
26	NUT - NYLOCK GR8 3/8"	27341	-----	50251002	00	8
27	GREASE FITTING	27341	-----	50991112	00	4
28	BOLT - GR8 5/16" x 1-1/4"	27341	-----	50031040	00	6
29	NUT - NYLOCK GR8 5/16"	27341	-----	50251003	00	7
30	WASHER - FLAT GR8 METALLOY 5/16"	27341	-----	50421026	00	14
31	SERIAL NUMBER PLATE	27341	-----	CALL DISTRIBUTOR	00	1
32	DECAL - TY-399 ISO LOAD CAPACITY	27341	-----	60033504	00	1
33	DECAL - TY-416 ISO NO STEP	27341	-----	60033520	00	2
34	GUIDE - HOSE	27341	-----	36053035	00	1
35	BOLT - GR8 5/16" x 4"	27341	-----	50031060	00	1
36	DECAL - TY-411 ISO NO TRAVELLING	27341	-----	60033516	00	1

JOHN DEERE PROGATOR TRUCK MOUNT CHASSIS (STOCK CODE #35005043)



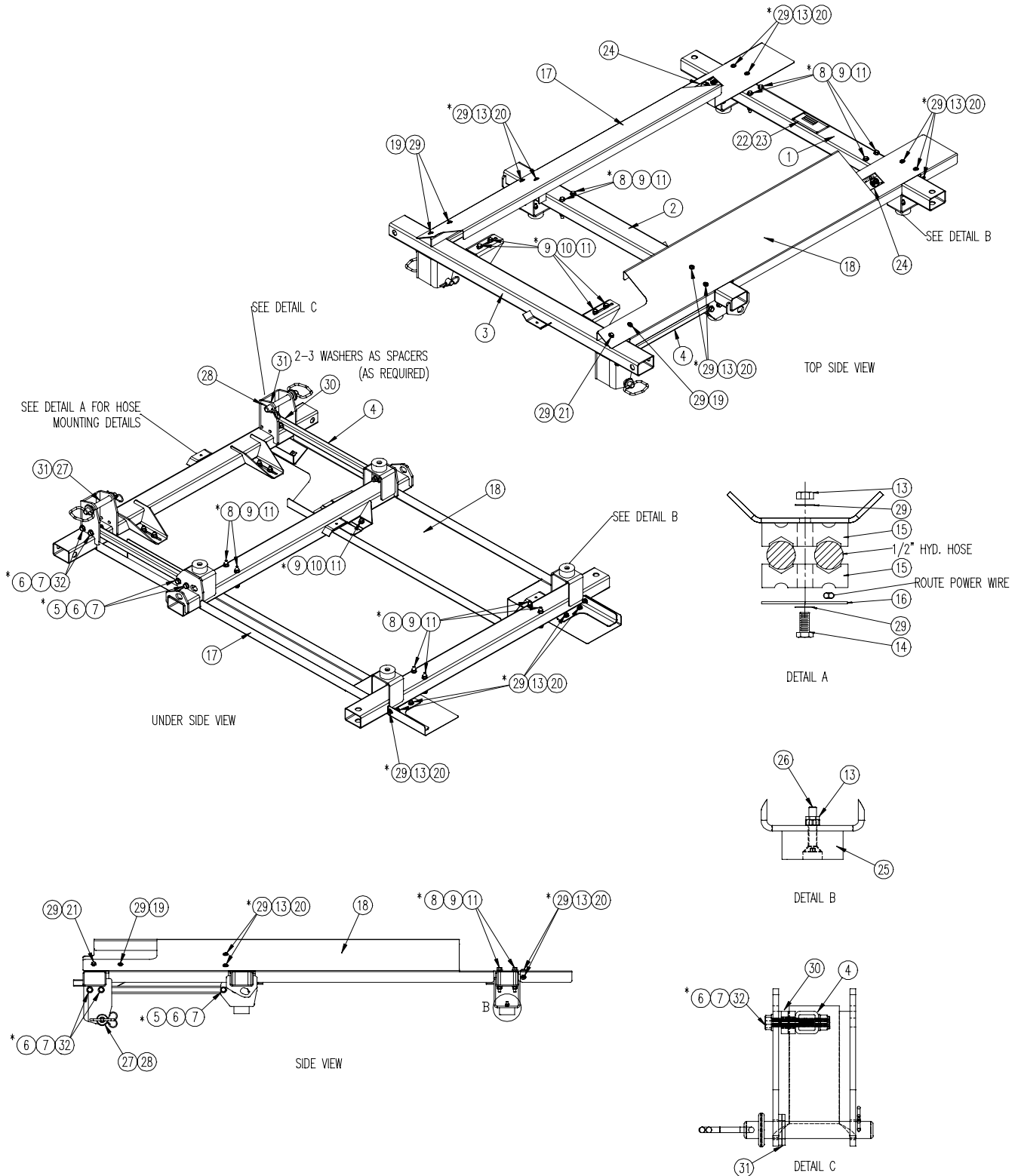
* WASHERS ON BOTH SIDES

35005043-004-00

JOHN DEERE PROGATOR TRUCK MOUNT CHASSIS PARTS LISTING (STOCK CODE #35005043)

ITEM	PART DESCRIPTION	SERIAL	TO SERIAL	PART NO.	REV	QTY
1	CROSS MEMBER - REAR	27109	-----	36055530	00	1
2	CROSS MEMBER - FRONT	27109	-----	36055510	00	1
3	CROSS MEMBER - CENTER	27109	-----	36055522	00	1
4	TUBE - BRACE	27109	-----	36055570	00	2
5	BOLT - NC GR8 5/16" x 3"	27109	-----	50011056	00	6
6	NUT - NYLOCK GR8 5/16"	27109	-----	50251003	00	10
7	WASHER - FLAT GR8 METALOY 5/16"	27109	-----	50421026	00	20
8	BOLT - NC GR8 5/16" x 1-1/4"	27109	-----	50031040	00	4
9	BOLT - NC GR8 3/8" x 1-1/4"	27109	-----	50031072	00	8
10	NUT - NYLOCK GR8 3/8"	27109	-----	50251002	00	16
11	WASHER - FLAT GR8 METALOY 3/8"	27109	-----	50421028	00	32
12	BRACKET - BRACE LEFT HAND	27109	-----	36055580	00	1
13	BRACKET - BRACE RIGHT HAND	27109	-----	36055590	00	1
14	BRACKET - BRACE CENTER	27109	-----	36055562	00	2
15	BOLT - GR8 3/8" x 2-1/2"	27109	-----	50031082	00	8
16	SHIELD - LEFT HAND	27109	-----	36055540	00	1
17	SHIELD - RIGHT HAND	27109	-----	36055550	00	1
18	BOLT - SS BUTTONHEAD 1/4" x 5/8"	27109	-----	50071076	00	4
19	BOLT - SS BUTTONHEAD 1/4" x 3/4"	27109	-----	50070977	01	10
20	WASHER - FLAT 1/4"	27109	-----	50421105	00	24
21	NUT - SS NYLOCK 1/4"	27109	-----	50071020	00	10
23	CLAMP PLATE	27109	-----	36033040	00	1
24	HYD. LINE CLAMP	27109	-----	56171012	00	2
25	BOLT - GR8 1/4" x 3"	27109	-----	50031020	00	1
26	PUCK	27109	-----	36055604	00	4
27	N/A	27109	-----			
28	BOLT - FLHD PLTD NC 1/4" x 1-1/2"	27109	-----	51151110	00	4
29	DECAL - TY-415 ISO DO NOT LIFT PAYLOAD	27109	-----	60033519	00	2
30	SERIAL NUMBER PLATE	27109	-----	CALL DISTRIBUTOR	00	1
31	RIVET	27109	-----	52011010	00	4
33	HITCH PIN 3/4" X 4-3/4"	27109	-----	50991348	00	2
34	LINCH PIN (SAFETY)	27109	-----	50992360	00	2
35	NUT - NYLOCK GR8 1/4"	27109	-----	50251000	00	5
36	WASHER - FLAT GR8 METALOY	27109	-----	50421029	00	2

TORO TRUCK MOUNT CHASSIS (STOCK CODE #35005053)



* WASHERS ON BOTH SIDES

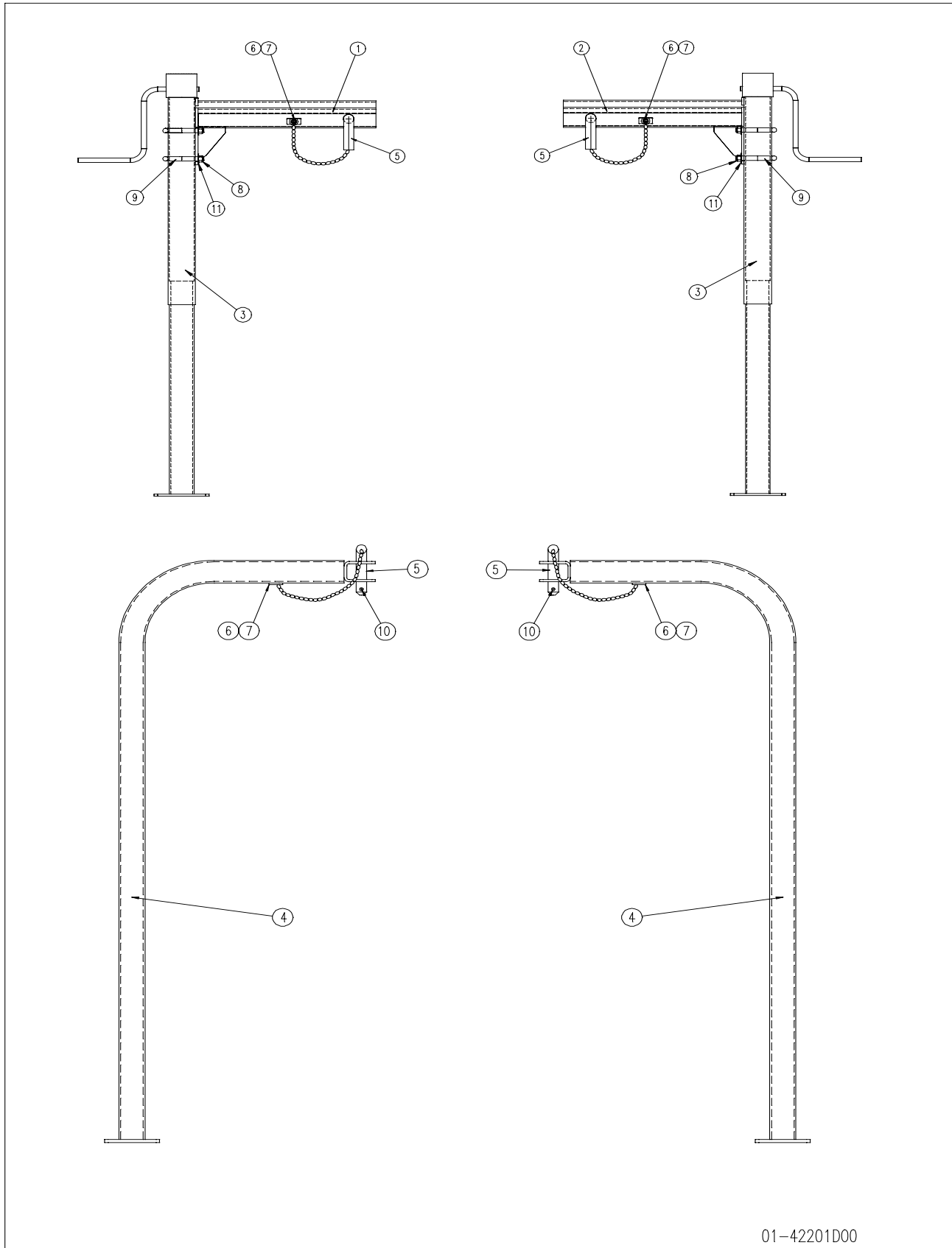
01-40824D00

TORO TRUCK MOUNT CHASSIS PARTS LISTING (STOCK CODE #35005053)

ITEM	PART DESCRIPTION	SERIAL	TO SERIAL	PART NO.	REV	QTY
1	CROSS MEMBER - FRONT	27124	-----	36055612	00	1
2	CROSS MEMBER - CENTER	27124	-----	36055622	00	1
3	CROSS MEMBER - REAR	27124	-----	36055632	00	1
4	TUBE - BRACE	27124	-----	36055670	00	2
5	BOLT - NC GR8 3/8" x 2"	27124	-----	50031078	00	4
6	NUT - NYLOCK GR8 3/8"	27124	-----	50251002	00	8
7	WASHER - FLAT GR8 METALLOY 3/8"	27124	-----	50421028	00	16
8	BOLT - NC GR8 5/16" x 3"	27124	-----	50031054	00	6
9	NUT - NYLOCK GR8 5/16"	27124	-----	50251003	00	12
10	BOLT - NC GR8 5/16" x 1-1/4"	27124	-----	50031040	00	6
11	WASHER - FLAT GR8 METALLOY 5/16"	27124	-----	50421026	00	24
12	WASHER - FLAT FR8 METALLOY 1/4"	27124	-----	50421029	00	7
13	NUT - NYLOCK GR8 1/4"	27124	-----	50251000	00	17
14	BOLT - NC GR8 1/4" x 3"	27124	-----	50031020	00	3
15	HYD. LINE CLAMP	27124	-----	56171012	00	6
16	CLAMP PLATE	27124	-----	36033040	00	3
17	SHIELD - LEFT HAND	27124	-----	36055640	00	1
18	SHIELD - RIGHT HAND	27124	-----	36055650	00	1
19	BOLT - SS BUTTONHEAD 1/4" x 5/8"	27124	-----	50071076	00	3
20	BOLT - SS BUTTONHEAD 1/4" x 3/4"	27124	-----	50070977	01	10
21	BOLT - NC GR8 1/4" x 5/8"	27124	-----	50031003	00	1
22	SERIAL NUMBER PLATE	27124	-----	CALL DISTRIBUTOR	00	1
23	RIVET	27124	-----	52011010	00	4
24	DECAL - TY-416 ISO DO NOT LIFT PAYLOAD	27124	-----	60033519	00	2
25	PUCK	27124	-----	36055604	00	4
26	BOLT - FLHD PLTD NC 1/4" x 1-1/2"	27124	-----	51151110	00	4
27	HITCH PIN 3/4" x 4-3/4"	27124	-----	50991348	00	2
28	LINCH PIN (SAFETY)	27124	-----	50992360	00	2
29	WASHER - FLAT STAINLESS 1/4"	27124	-----	50421105	00	23
30	SPACER	27124	-----	36055602	00	4
31	WASHER - FLAT GR8 METALLOY 3/4"	27124	-----	50421034	00	4
32	BOLT - NC GR8 3/8" x 2 1/2"	27124	-----	50031082	00	4

PROPASS TRUCK MOUNT STORAGE STAND (STOCK CODE #35005062)

StockCode 35005062

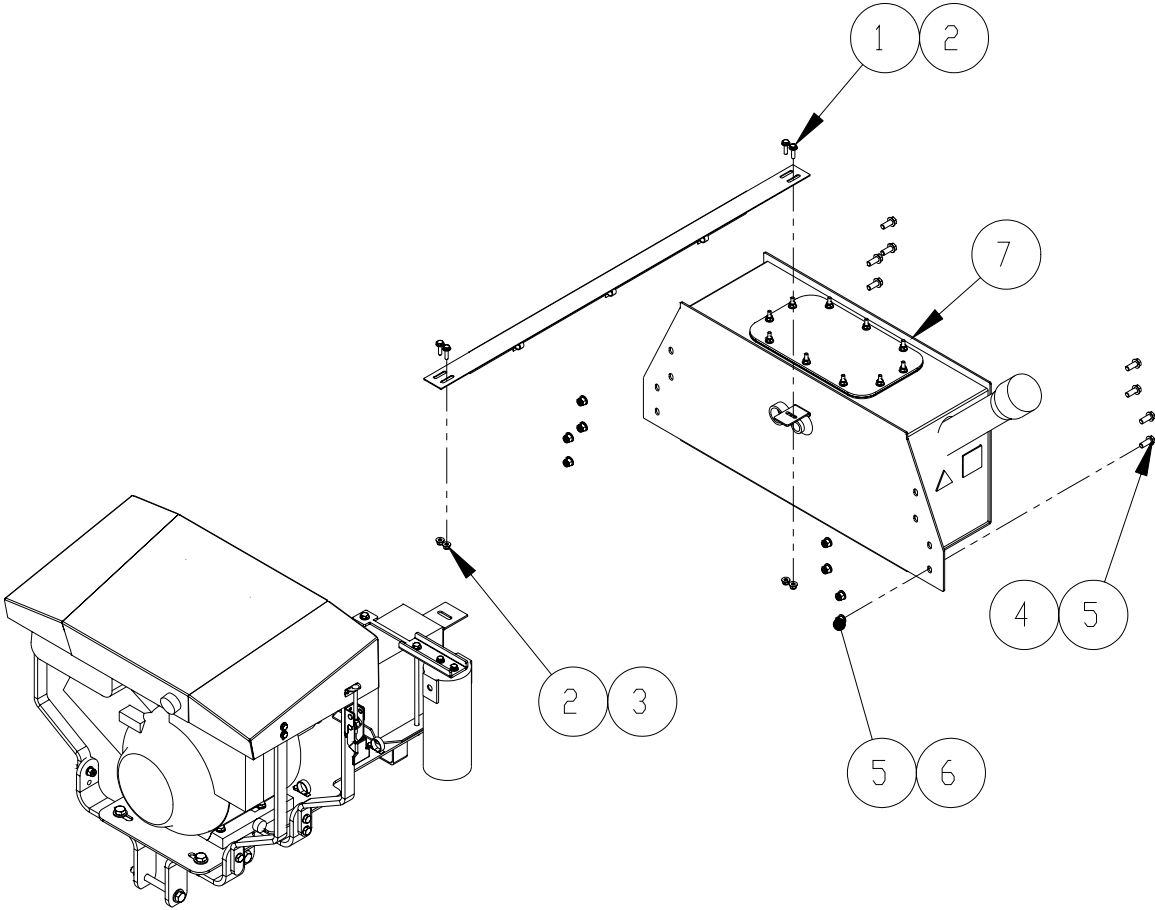


01-42201D00

PROPASS TRUCK MOUNT STORAGE STAND PARTS LISTING (STOCK CODE #35005062)

ITEM	PART DESCRIPTION	SERIAL	TO SERIAL	PART NO.	REV	QTY
1	LEG INSERT - LEFT REAR	27122	-----	36055020	00	1
2	LEG INSERT - RIGHT REAR	27122	-----	36055010	00	1
3	JACK	27122	28792	63055355	00	2
3	JACK	29849	-----	0000-4845	00	2
4	LEG - FRONT	27122	-----	36055030	00	2
5	PIN - LEG INSERT	27122	-----	36055040	00	2
6	BOLT - GR8 1/4" x 5/8"	27122	-----	50031003	00	4
7	WASHER - FLAT GR8 METALLOY 1/4"	27122	-----	50421029	00	4
8	NUT - NYLOCK GR8 5/16"	27122	-----	50251003	00	8
9	U-BOLT - 5/16" x 1-1/2" PIPE	27122	-----	62011197	00	4
10	PIN - LINCH (SAFETY) 1/4"	27122	-----	50991366	00	4
11	WASHER - FLAT GR8 METALLOY 5/16"	27122	-----	50421026	00	4

PROPASS—11HP HYDRAULIC POWER PACK (STOCK CODE #0000-1215)

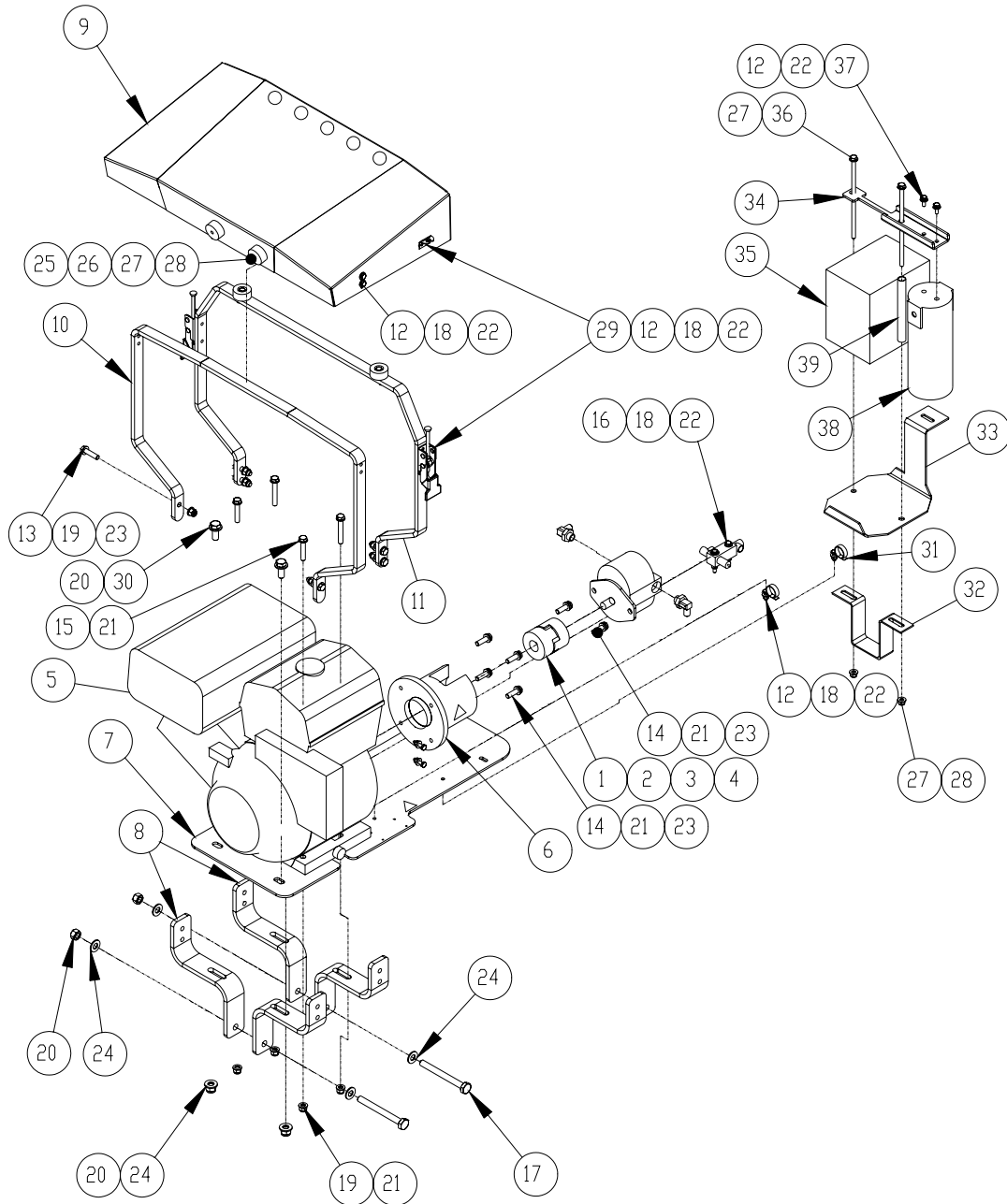


REF: 0000-2469

PROPASS—11HP HYDRAULIC POWER PACK (STOCK CODE #0000-1215)

ITEM	PART DESCRIPTION	SERIAL	TO SERIAL	PART NO.	REV	QTY
1	BOLT NC GR8 PLTD 1/4 X 3/4	15776	-----	50031002		4
2	WASHER FLAT CUT PLTD 1/4	15776	-----	50421002		8
3	NUT NYLOCK NC GR8 1/4	15776	-----	50251000		4
4	BOLT NC GR8 PLTD 3/8 X 1	15776	-----	50031070		8
5	WAHSER FLAT CUT PLTD 3/8	15776	-----	50421006		16
6	NUT NYLOCK NC GR8 3/8	15776	-----	50251002		8
7	HYDRAULIC TANK	15776	-----	0000-3401		1

PROPASS—11HP HYDRAULIC POWER PACK (STOCK CODE #0000-1215)

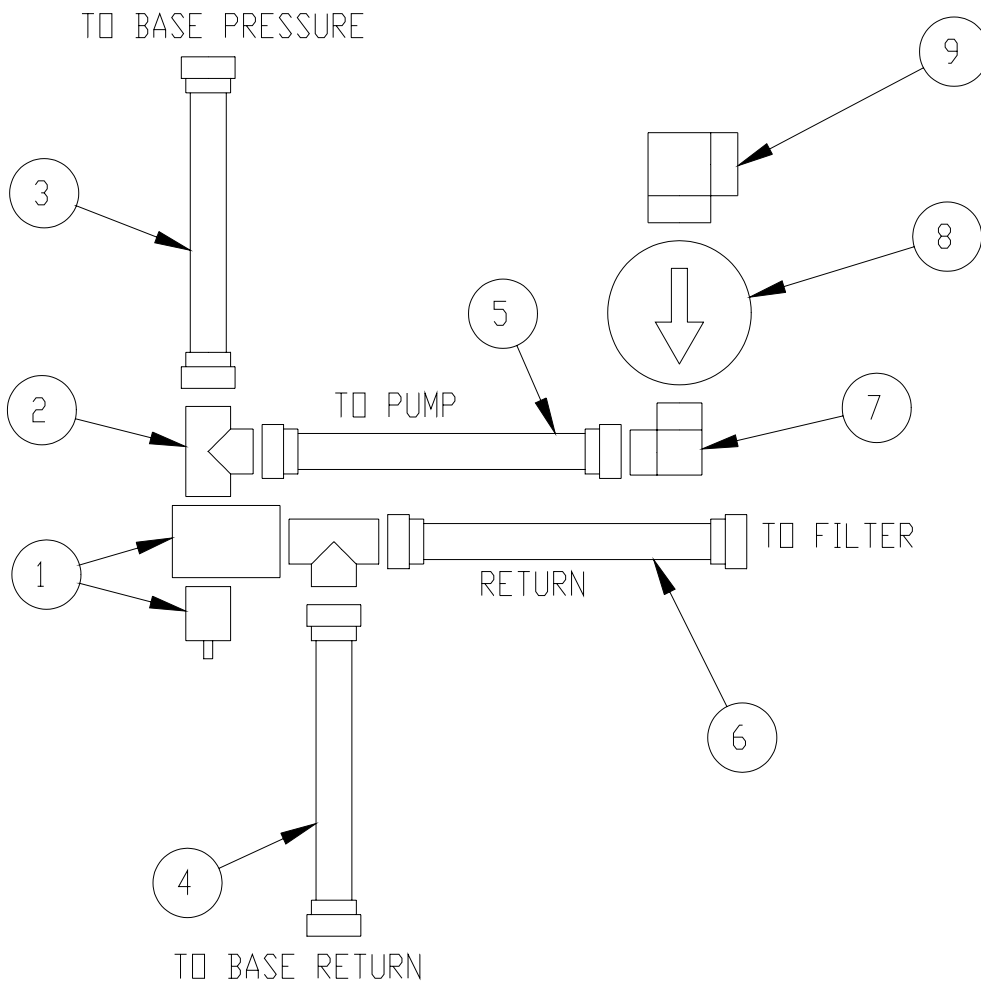


REF: 0000-2616

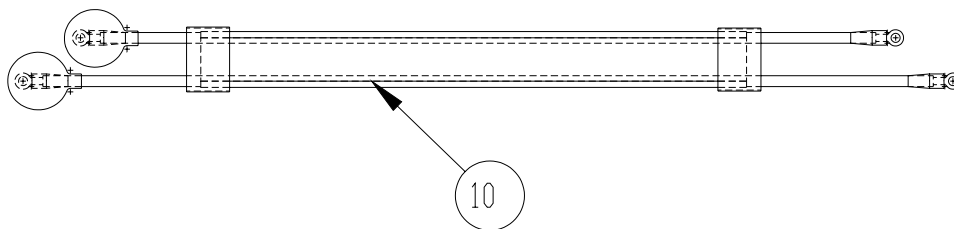
PROPASS—11HP HYDRAULIC POWER PACK (STOCK CODE #0000-1215)

ITEM	PART DESCRIPTION	SERIAL	TO SERIAL	PART NO.	REV	QTY
1	COUPLING MARTIN ML099-1"	15776	-----	59013015		1
2	COUPLING INSERT	15776	-----	59013022		1
3	COUPLING MARTIN ML099-5/8X5/32	15776	-----	59013005		1
4	KEY STOCK	15776	-----	01-29633B		1
5	ENGINE-HONDA 11HP ELEC START	15776	-----	62023010		1
6	ADAPTER PUMP ASSY (with Decals)	15776	-----	0000-2620		1
7	MOUNT ENGINE ASSY (with Decals)	15776	-----	0000-2619		1
8	ENGINE MOUNT— LONG BRACKET	15776	-----	0000-2044		4
9	COVER TOP ASSY ENGINE (with Decals)	15776	-----	0000-2618		1
10	ENGINE COVER STRUT	15776	-----	0000-2043		1
11	ENGINE COVER STOP	15776	-----	0000-1346		1
12	BOLT NC GR8 PLTD 1/4 X 3/4	15776	-----	50031002		16
13	BOLT NC GR8 PLTD 3/8 X 1	15776	-----	50031070		6
14	BOLT NC GR8 PLTD 3/8 X 1-1/4	15776	-----	50031072		6
15	BOLT NC GR8 PLTD 3/8 X 2-1/2	15776	-----	50031082		4
16	BOLT NC GR8 PLTD 1/4 X 2	15776	-----	50031012		2
17	BOLT NC GR8 PLTD 1/2 X 5	15776	-----	50031154		2
18	NUT NYLOCK NC GR8 1/4	15776	-----	50251000		16
19	NUT NYLOCK NC GR8 3/8	15776	-----	50251002		10
20	NUT NYLOCK NC GR8 1/2	15776	-----	50251004		4
21	WASHER LOCKING PLTD 3/8	15776	-----	50401014		6
22	WASHER FLAT CUT PLTD 1/4	15776	-----	50421002		18
23	WASHER FLAT CUT PLTD 3/8	15776	-----	50421006		26
24	WASHER FLAT CUT PLTD 1/2	15776	-----	50421010		8
25	BUMPER, RUBBER, SPAENAU 315-288	15776	-----	0000-2430		3
26	BOLT NC GR 8 PLTD 5/16 X 1	15776	-----	50031038		3
27	WASHER—FLAT CUT PLTD 5/16	15776	-----	50421004		7
28	NUT NYLOCK NC GR8 5/16 PLTD	15776	-----	50251003		5
29	DRAW LATCH—SOUTHCO A1-10-701-50	15776	-----	0000-2431		2
30	BOLT NC GR8 PLATED 1/2 X 1-1/4	15776	-----	50031132		2
31	CLAMPS—RUBBER INS 3/8 #6	15776	-----	58071010		2
32	MOUNTING STRAP—BATTERY BOX	15776	-----	0000-2046		1
33	BATTERY BOX	15776	-----	0000-1347		1
34	BATTERY HOLD DOWN / FILTER MOUNT	15776	-----	0000-2115		1
35	BATTERY SP-30	15776	-----	58054003		1
36	BOLT NC GR8 PLTD 5/16 X 8	15776	-----	0000-2432		2
37	WASHER LOCKING PLTD 1/4	15776	-----	50401010		2
38	FILTER—RETURN LINE	15776	-----	0000-2418		1
39	BATTERY BOLT TUBE	15776	-----	0000-3220		1

PROPASS—11HP HYDRAULIC POWER PACK (STOCK CODE #0000-1215)

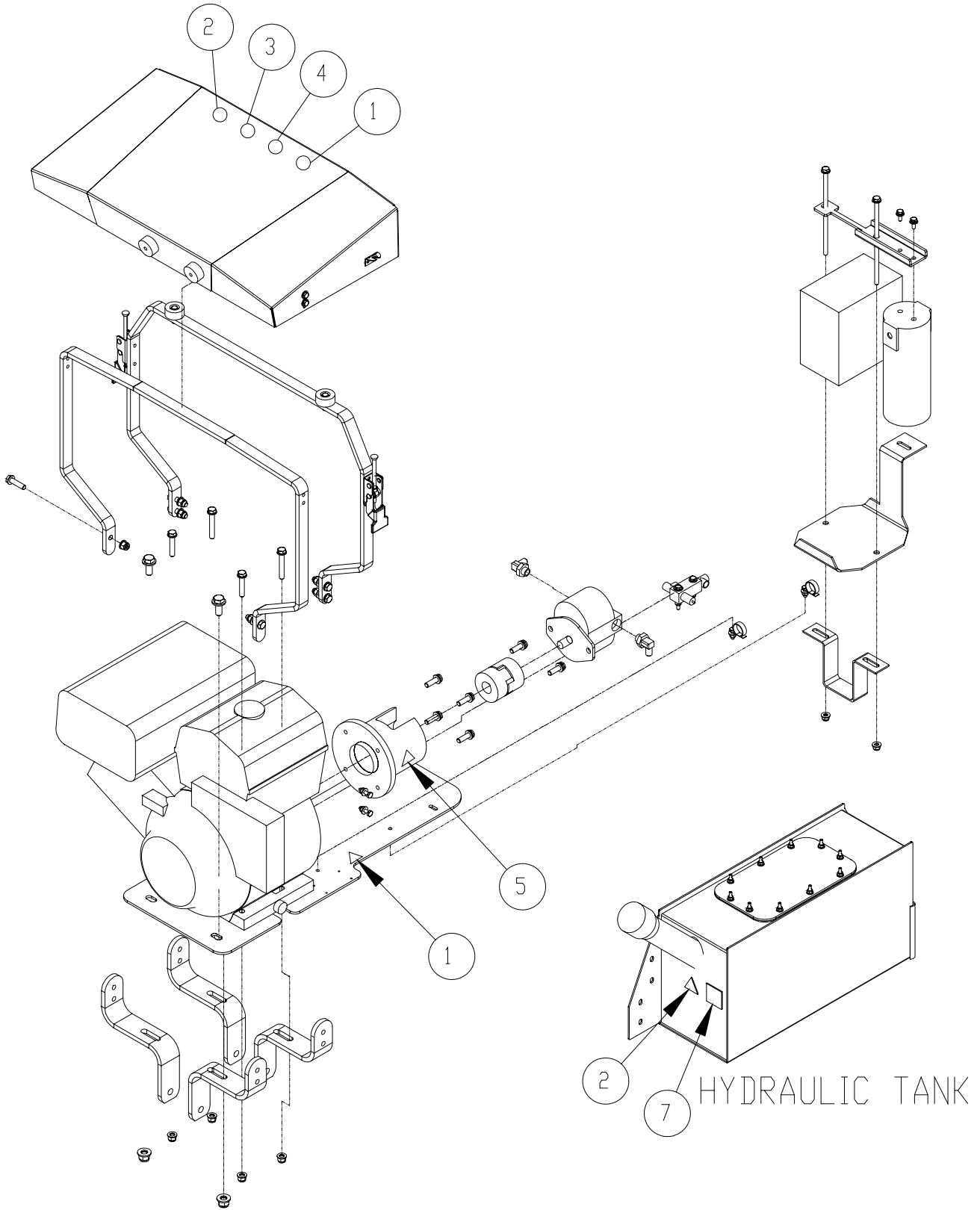


HYDRAULICS FOR ENGINE SUB ASSEMBLY



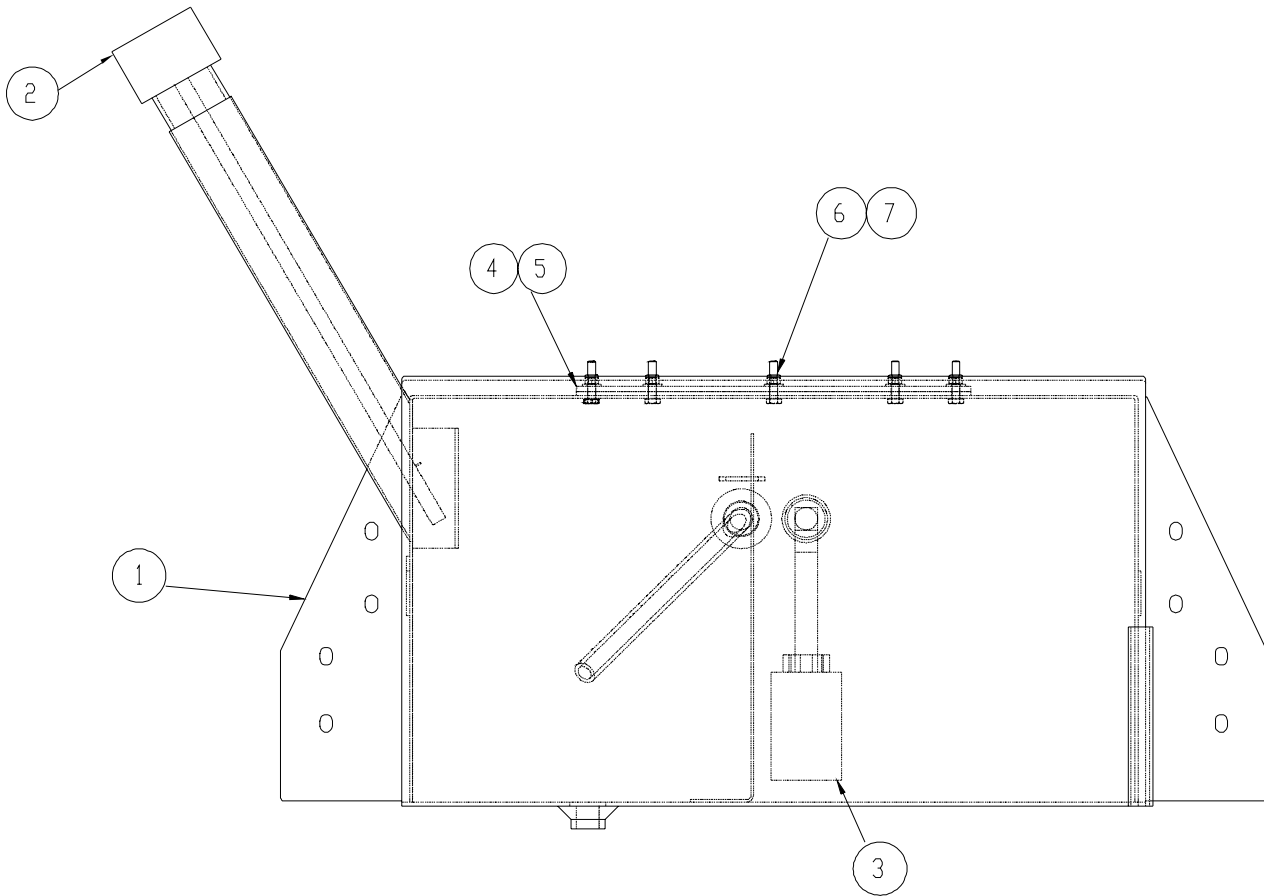
WIRING HARNESS FOR ENGINE SUB ASSEMBLY

PROPASS—11HP HYDRAULIC POWER PACK (STOCK CODE #0000-1215)



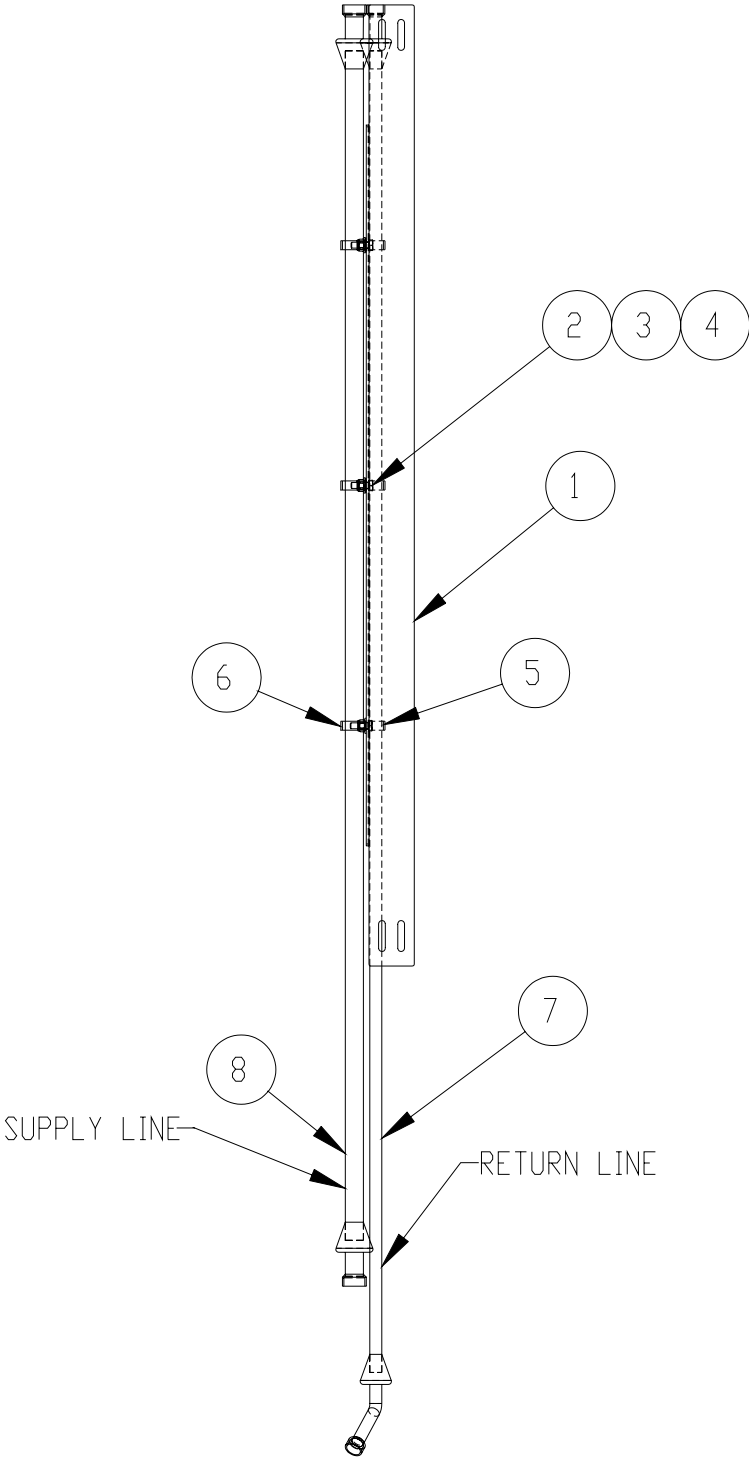
REF: 0000-2640

PROPASS—11HP HYDRAULIC POWER PACK (STOCK CODE #0000-1215)



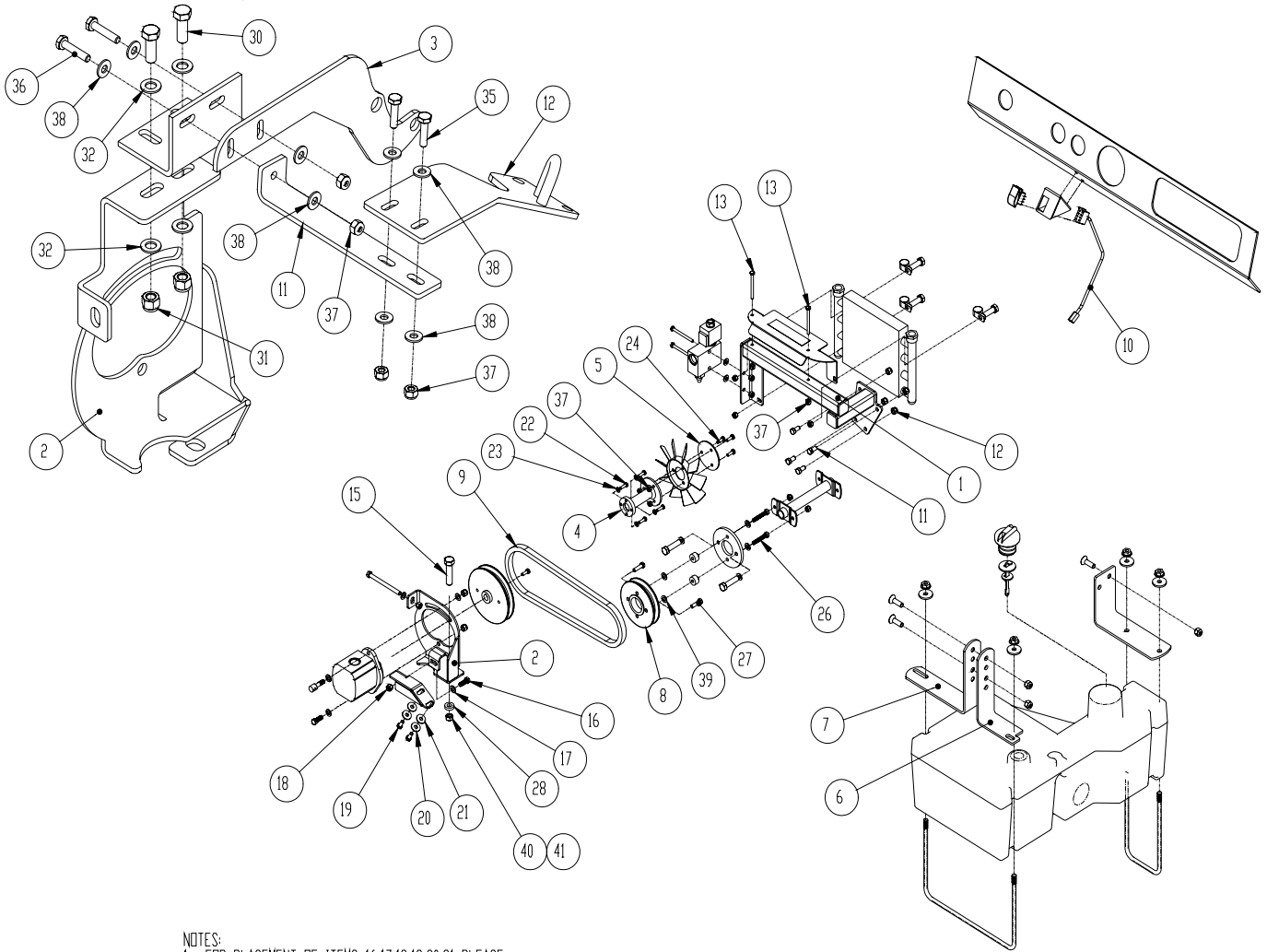
REF 0000-3401

ProPASS—11HP HYDRAULIC POWER PACK (STOCK CODE #0000-1215)



REF: 0000-2471

PROPASS - HIFLOW ADAPTER 2X4 4X4 GAS (STOCKCODE #0000-1139)



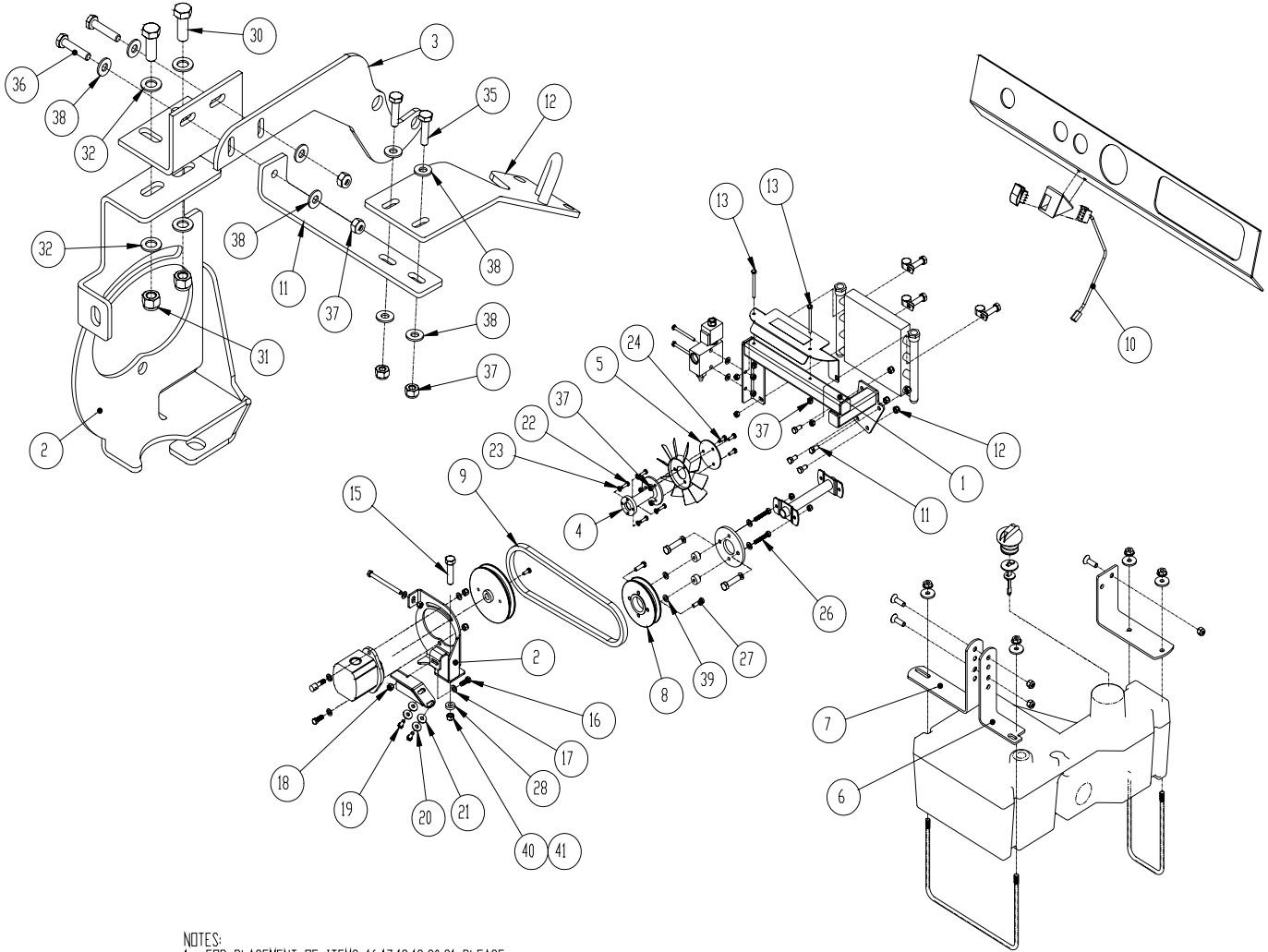
NOTES:

1. FOR PLACEMENT OF ITEMS 16,17,18,19,20,21 PLEASE SEE PROPASS SETUP INSTRUCTIONS.
2. FOR REMAINING ITEMS 30,31,32 PLEASE SEE PROPASS SETUP INSTRUCTIONS (OIL COOLER MOUNTING).
3. FOR ITEMS 33,34 PLEASE SEE PROPASS SETUP INSTRUCTIONS (MOUNTING OF ENGINE BLOCK FACE BRACKET).

PROPASS - HIFLOW ADAPTER 2X4 4X4 GAS (STOCKCODE #0000-1139)

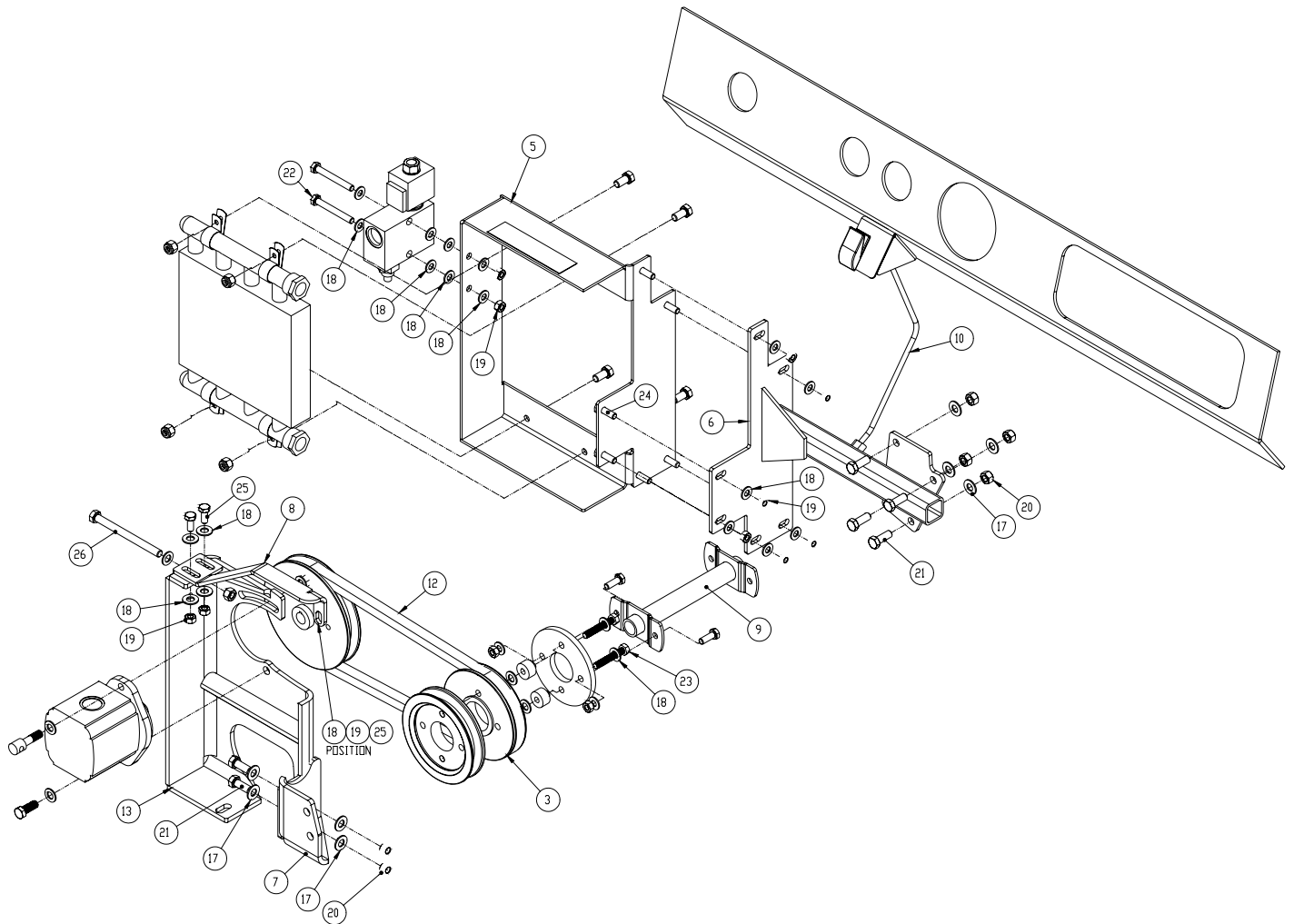
ITEM	PART DESCRIPTION	SERIAL	TO SERIAL	PART NO.	REV	QTY
1	OIL COOLER MOUNT WELDMENT - GAS	-----	-----	0000-4570		1
2	PUMP MOUNTING BRACKET WELDMENT GAS	-----	-----	0000-2400		1
3	PUMP MOUNT BRACKET SUPPORT 2	-----	-----	0000-2405		1
4	FAN SPACER - GAS 4X4	-----	-----	0000-4572		1
5	FAN FACE PLATE	-----	-----	36056015		1
6	RESEVOIR INNER BRACKET	-----	-----	36056055		1
7	RESEVOIR OUTER BRACKET	-----	-----	36056050		1
8	SHEAVE COMBINATION TORO GAS	-----	-----	36056080		1
9	V-BELT DAYCO 22435	-----	-----	69011191		1
10	HI-FLOW WIRING HARNESS	-----	-----	36056040		1
11	PUMP MOUNT BRACKET BRIDGE	-----	-----	0000-2404		1
12	PUMP MOUNT BRACKET SUPPORT 1 WELDM.	-----	-----	0000-2407		1
13	BOLT NC GR8 PLTD 1/4 X 2	-----	-----	50031012		2
14	SHROUD COOLER MOD. INSTRUCTIONS	-----	-----	0000-4573		1
15	BOLT NC GR8 PLTD 7/16 X 4	-----	-----	50031122		1
16	1/2" HOSE ASSY - PUMP - TOP COUPLER	-----	-----	0000-4575		1
17	1/2" HOSE ASSY - PUMP - BOTTOM. COUPLER	-----	-----	0000-4576		1
18	1/2" HOSE ASSY - PUMP - TEE REAR VALVE	-----	-----	0000-4577		1
19	ELBOW90 MALE FLAT FACE - MALE O-RING	-----	-----	56091239		2
20	TEE 1/2" MALE FLAT FACE XMFFXFEMALEFF	-----	-----	56091337		2
21	FUSE - AUTO ATD 10AMP	-----	-----	58037150		1
22	BOLT - 6X20 XIMM -PLATED	-----	-----	51130098		4
23	LOCKWASHER - 6MM - PLATED	-----	-----	51131048		4
24	BOLT NC GR8 PLTD 1/4 X 3/4	-----	-----	50031002		3
25	CABLE TIES - STD BLK 11	-----	-----	58071002		20
26	BOLT NC GR8 PLTD 5/16 X 2	-----	-----	50031046		2
27	BOLT NC GR8 PLTD 5/16 X 1	-----	-----	50031038		2
28	SPACER - PUMP MOUNT	-----	-----	36056035		1
29	HOSE ASSEMBLY - HYD 17-1/2"	-----	-----	0000-4574		1
30	BOLT NC GR8 PLTD 3/8 X 1	-----	-----	50031070		6
31	NUT NYLOCK NC GR8 3/8"	-----	-----	50251002		6
32	WASHER - FLAT GR8 METALOY 3/8	-----	-----	50421028		8
33	BOLT - 10 X20X 1.5MM PLATED	-----	-----	51131013		2
34	LOCKWASHER - 10MM -PLATED	-----	-----	51131052		2
35	BOLT NC GR8 PLTD 1/4 X 1	-----	-----	50031004		2
36	BOLT NC GR8 PLTD 1/4 X 1-1/4	-----	-----	50031006		2
37	NUT NYLOCK NC GR8 1/4"	-----	-----	50251000		9
38	WASHER - FLAT CUT PLTD 1/4	-----	-----	50421002		8
39	WASHER - FLAT GR8 METALOY 5/16	-----	-----	50421026		2

PROPASS - HIFLOW ADAPTER 2X4 4X4 GAS (STOCKCODE #0000-1139)



- NOTES:
1. FOR PLACEMENT OF ITEMS 16,17,18,19,20,21 PLEASE SEE PROPASS SETUP INSTRUCTIONS.
 2. FOR REMAINING ITEMS 30,31,32 PLEASE SEE PROPASS SETUP INSTRUCTIONS (OIL COOLER MOUNTING).
 3. FOR ITEMS 33,34 PLEASE SEE PROPASS SETUP INSTRUCTIONS (MOUNTING OF ENGINE BLOCK FACE BRACKET).

PROPASS - HIFLOW ADAPTER 2X4 TORO DIESEL (STOCKCODE #35005058)

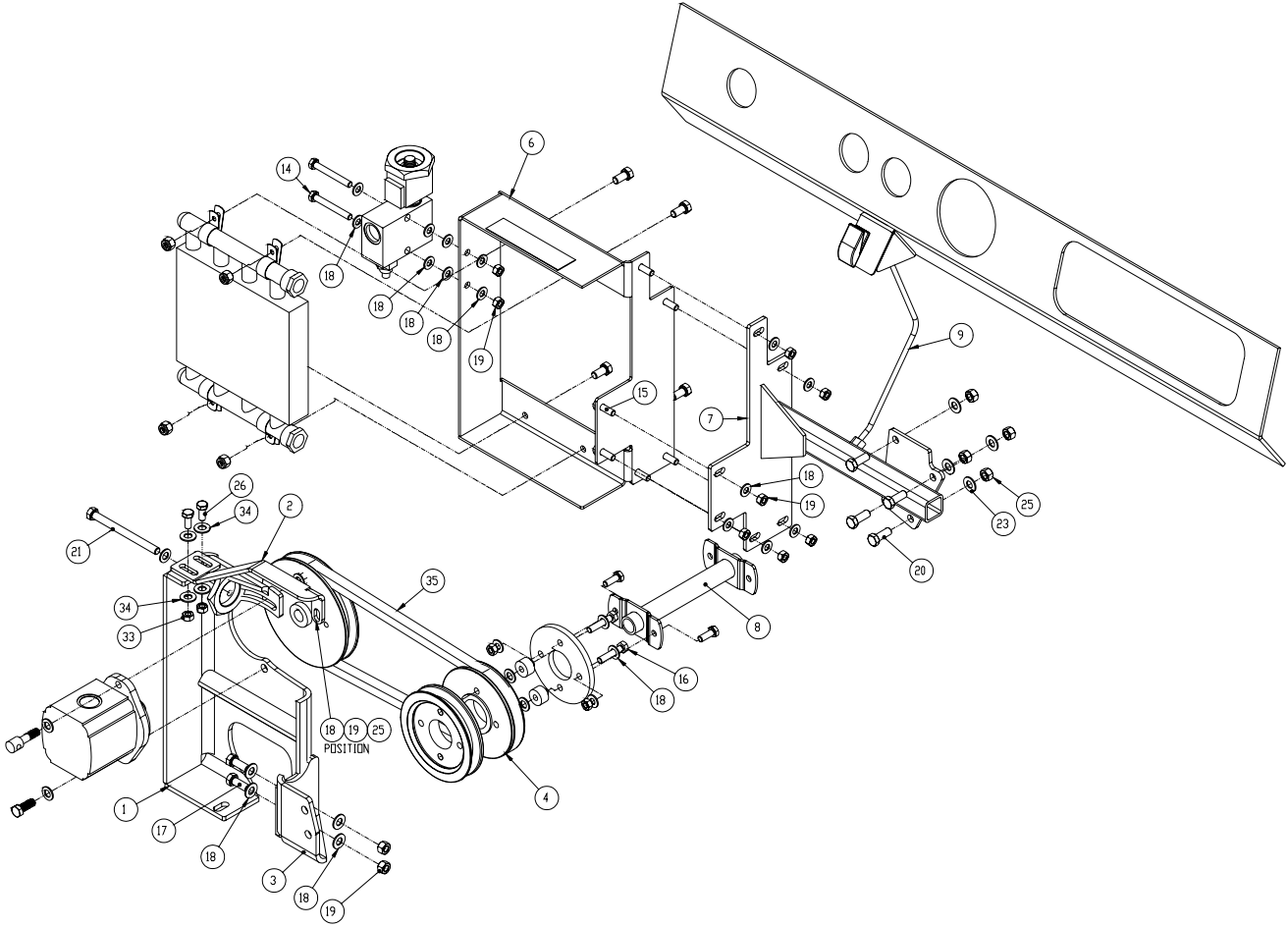


NOTE:
FOR ITEMS 1, 2, 4, 11, 14, 15, 16 PLEASE REFER TO PROPASS SETUP INSTRUCTIONS.

PROPASS - HIFLOW ADAPTER 2X4 TORO DIESEL (STOCKCODE #35005058)

ITEM	PART DESCRIPTION	SERIAL	TO SERIAL	PART NO.	REV	QTY
1	1/2" HOSE ASSY MANIFOLD TO COOLER	-----	-----	0000-4584		1
2	1/2" HOSE ASSY - PRESSURE - DIESEL	-----	-----	0000-4567		1
3	SHEAVE COMBINATION TORO DIESEL	-----	-----	0000-4561		1
4	RUBBER PIECE DIESEL HI-FLOW	-----	-----	0000-4562		3
5	SHROUD COOLER HOUSING DIESEL	-----	-----	0000-4589		1
6	OIL COOLER MOUNT WELDMENT DIESEL	-----	-----	0000-4591		1
7	PUMP MOUNT DIESEL FLANGE	-----	-----	0000-4592		1
8	PUMP MOUNT DIESEL BRACKET	-----	-----	0000-4780		1
9	DRIVE SHAFT DIESEL ASSEMBLY	-----	-----	0000-4779		1
10	HI-FLOW WIRE HARNESS DIESEL	-----	-----	0000-4566		1
11	HYD HOSE PUSH ON 1/2"/IN [55 1/4"]	-----	-----	56091269		1
12	V-BELT FOR HI-FLOW DIESEL KIT	-----	-----	69011190		1
13	PUMP MOUNT DIESEL BRACE WELDMENT	-----	-----	0000-4605		1
14	ADAPTER 1/2MORFSX5/8MORB 90 D	-----	-----	56091317		1
15	BAG-POLY/6X9/RPB6X9	-----	-----	77011601		1
16	CABLE TIES - STD BLK 11	-----	-----	58071002		26
17	WASHER - FLAT GR8 METALOY 3/8	-----	-----	50421028		8
18	WASHER - FLAT GR8 METALOY 5/16	-----	-----	50421026		27
19	NUT - NYLOCK NC GR8 5/16 PLTD	-----	-----	50251003		11
20	NUT NYLOCK NC GR8 3/8"	-----	-----	50251002		6
21	BOLT NC GR8 PLTD 3/8 X 1	-----	-----	50031070		6
22	BOLT NC GR8 PLTD 5/16 X 2-1/2	-----	-----	50031050		2
23	BOLT NC GR8 5/16 X 2	-----	-----	50031046		2
24	BOLT NC GR8 PLTD 5/16 X 1	-----	-----	50031038		6
25	BOLT NC GR8 PLTD 5/16 X 3/4	-----	-----	50031036		3
26	BOLT NC GR8 3/8 X 5 1/2	-----	-----	50031096		1

PROPASS - HIFLOW 4X4 TORO DIESEL (STOCKCODE #0000-1421)



PROPASS - HIFLOW 4X4 TORO DIESEL (STOCKCODE #0000-1421)

ITEM	PART DESCRIPTION	SERIAL	TO SERIAL	PART NO.	REV	QTY
1	DIESEL PUMP MOUNTING BRACKET WELDM.	-----	-----	0000-1394		1
2	PUMP MOUNT DIESEL BRACKET	-----	-----	0000-2392		1
3	PUMP MOUNT DIESEL FLANGE	-----	-----	0000-2393		1
4	SHEAVE COMBINATION TORO DIESEL	-----	-----	0000-4561		1
5	RUBBER PIECE DIESEL HI-FLOW	-----	-----	0000-4562		3
6	SHROUD COOLER HOUSING ASSEMBLY	-----	-----	0000-4563		1
7	OIL COOLER MOUNT WELDMENT 4X4	-----	-----	0000-4564		1
8	DRIVE SHAFT DIESEL 4X4 ASSY	-----	-----	0000-4565		1
9	HI-FLOW WIRE HARNESS DIESEL	-----	-----	0000-4566		1
10	1/2" HOSE ASSY - PRESSURE - DIESEL	-----	-----	0000-4567		1
11	1/2" HOSE ASSY MANIFOLD TO COOLER LINE	-----	-----	0000-4568		1
12	BAG-POLY/6X9/RPB6X9/EA	-----	-----	77011601		1
14	BOLT NC GR8 PLTD 5/16 X 2-1/2	-----	-----	50031050		2
15	BOLT NC GR8 PLTD 5/16 X 1	-----	-----	50031038		6
16	BOLT NC GR8 PLTD 5/16 X 2	-----	-----	50031046		2
17	BOLT NC GR8 PLTD 5/16 X 1-1/4	-----	-----	50031040		2
18	WASHER - FLAT GR8 METALLOY 5/16	-----	-----	50421026		28
19	NUT - NYLOCK NC GR8 5/16 PLTD	-----	-----	50251003		11
20	BOLT NC GR8 PLTD 3/8 X 1	-----	-----	50031070		4
21	BOLT 3/8 X 5-1/2 FULL THREAD	-----	-----	50031097		1
22	BOLT NC GR8 PLTD 3/8 X 1-1/4	-----	-----	50031072		2
23	WASHER - FLAT GR8 METALLOY 3/8	-----	-----	50421028		9
24	NUT NC GR8 PLTD 3/8	-----	-----	50201004		1
25	NUT NYLOCK NC GR8 PLTD 3/8	-----	-----	50251002		6
26	BOLT NC GR8 PLTD 1/4 X 1	-----	-----	50031004		2
27	WASHER - FLAT GR8 METALLOY 5/16	-----	-----	50421026		4
28	NUT NYLOCK NC GR8 5/16 PLTD	-----	-----	50251003		2
29	BOLT NC GR8 PLTD 7/16 X 3-1/2	-----	-----	50031120		1
30	BOLT NC GR8 PLTD 5/16 X 3/4	-----	-----	50031036		3
31	ADAPTER 1/2MORF SX5/8MORB 90 D	-----	-----	56091317		1
32	CABLE TIES - STD BLK 11	-----	-----	58071002		26
33	NUT NYLOCK NC GR8 PLTD 1/4	-----	-----	50251000		2
34	WASHER - FLAT GR8 METALLOY 1/4	-----	-----	50421029		4
35	V-BELT FOR HI FLOW DIESEL KIT	-----	-----	69011192		1